


DWG OIP1648  
NO.

REVISIONS					
REV	EN	CHG CODE	DESCRIPTION	DR	APPD
L	83724	1	REV LTR OF DWG OIE1648 WAS E, ADDED F/N 90	PSH	RD 6/2/75
-	83789	1	REV LTR OF DWG OIE1060 WAS E	PSH	no. 9/2/75
M	83893	3	P/N F/N 42 WAS 53A0015-000	PSH	no. 9/2/75
N	83908	1	REV LTR OF DWG 95W1059 WAS C	PSH	no. 9/2/75
P	84006	3	REV LTR OF DWG 95E1060 WAS F, F/N 13. P/N WAS 44P0586-001	PSH	no. 9/3/75
R	84017	1	F/N 23 P/N WAS 78A0099-000	PSH	no. 9/3/75
-	84059	3	NEXT ASSY BLOCK WAS OIP1644	PSH	no. 9/3/75

NEXT ASSEMBLY OIP1664			MODEL NO. V72		 <b>varian data machines</b> / a varian subsidiary 2722 michelson drive / irvine / california / 92664	
DR	BILL GARRET	2/28/74	CODE IDENT NO. <b>21101</b>			TITLE PARTS LIST POWER SUPPLY ASSEMBLY
CHK	R DUSTIN	5/21/74	THIS DOCUMENT MAY CONTAIN PROPRIETARY INFORMATION AND SUCH INFORMATION MAY NOT BE DISCLOSED TO OTHERS FOR ANY PURPOSE OR USED TO PRODUCE THE ARTICLE OR SUBJECT, WITHOUT PERMISSION FROM VDM.		SIZE <b>A</b>	
DSGN	—	—				DWG NO. OIP1648
ENGR	C SMITH	5/31/74			SHEET 1 OF 6	
APPD	A WHITCOMB	6/4/74				
APPD						

96A0153 0000

QUANTITY REQ'D PER DASH NO.							PARTS LIST			CODE IDENT: 21101
						000	FIND NO.	PART NUMBER	DESCRIPTION	REMARKS
						REF	-	01E1648 F	ASSEMBLY	
						REF	-	95E1060 G	SCHEMATIC	
						REF	-	95W1059 D	WIRE LIST	
						1	1	03E0030-000	CHASSIS	
						1	2	05D0241-002	PANEL, FRONT	
						1	3	05D0626-000	PANEL, REAR	
						1	4	04D0789-000	COVER	
						2	5	04C0713-000	BRACKET, LATCH	
						1	6	04C0658-000	BRACKET, LAMP	
						2	7	04C0685-000	SUPPORT BAR	
						1	8	17A0022-001	HEAT SINK	
						6	9	44P0518-000	HEAT SINK BD	
						1	10	44P0715-000	CAPACITOR BD	
						1	11	44P0716-000	PWR SUPPLY BD	
						1	12	44P0623-000	PWR FAIL BD	A2
						1	13	44P0779-001	AC PWR BD	A1

NOTES:

DWG NO. 01P1648

REV **R**

SHEET 2 OF 6

96A0017-001C

QUANTITY REQ'D PER DASH NO.							PARTS LIST			CODE IDENT: 21101
						000	FIND NO.	PART NUMBER	DESCRIPTION	REMARKS
						1	14	44P0528-001	REGULATOR BD	A3
						1	15	60A0000-006	MARKER STRIP	
						1	16	60A0000-012	MARKER STRIP	
						3	17	86A0010-001	LABEL, CAUTION	
						2	18	84A0002-003	FAN	115 VAC
						7	19	09A0009-000	GRILLE, FAN	
						1	20	44P0721-000	AC FILTER BD	A1
						2	21	70A0006-000	CAP., .047uf, 600V	C13, C14
						1	22	71N0350-685	CAP., 6.8uf, 35V	C21
						1	23	78A0099-002	CIRCUIT BREAKER	CBI
						2	24	77A0012-000	DIODE	CR8, CR9
						2	25	76A0008-000	DIODE	CR10, CR11
						1	26	77A0005-000	SCR	Q1
						1	27	78A0098-000	SWITCH, THERMAL	S1
						1	28	80A0051-000	TRANSFORMER	T1
						1	29	63A0027-000	LAMP	DS1
						1	30	61A0022-000	LIGHT HOLDER	XDS1
						1	31	63A0029-000	LIGHT HOLDER LENS	
						2	32	21A0050-004	RECEPTACLE	
						4	33	21A0050-006	NUT	

NOTES:

DWG NO. 01P1648

REV  
**R**

SHEET 3 OF 6

96A0017-001C

QUANTITY REQ'D PER DASH NO.							PARTS LIST			CODE IDENT: 21101
						000	FIND NO.	PART NUMBER	DESCRIPTION	REMARKS
						2	34	26A0012-000	CLAMP HARNESS	
						2	35	26A0013-000	CLAMP MTG TAB	
						1	36	04C0798-000	BRKT, SUPPORT	
						2	37	04C0799-000	BRKT, CLAMP	
						2	38	22A0085-001	STANDOFF, MALE-FEMALE	.375 LONG
						2	39	22A0033-002	SPACER	.375 LONG
						1	40	53A0345-000	FAN CORD	
						1	41	53A0345-003	FAN CORD	
						1	42	53A0015-001	POWER CORD	
						1	43	24A0022-002	STRAIN RELIEF	
						12	44	23A0059-000	CLIP-NUT	6-32
						5	45	23A0063-000	CLIP-NUT	8-32
							46			
							47			
						6	48	58A0003-001	JUMPER, TERM	
						<del>12</del>	<del>49</del>	<del>24A0042-001</del>	<del>RIVET, DRIVE</del>	
						7	50	22N6320-001	WASHER, FLAT	#6
						10	51	22N6321-002	WASHER, LOCK	#6
						8	52	23A0025-002	NUT, HEX	6-32
						4	53	22A0089-019	WASHER, FLAT	#10



NOTES:

DWG NO. 01P1648

REV  
**R**

SHEET 4 OF 6

96A0017-001C

QUANTITY REQ'D PER DASH NO.							PARTS LIST			CODE IDENT: 21101
						000	FIND NO.	PART NUMBER	DESCRIPTION	REMARKS
						4	54	22N0321-002	WASHER, LOCK	#10
						4	55	23A0025-004	NUT, HEX	10-32
						0	56	54A0001- 	SLEEVING	
						2	57	58A0095-003	TERMINAL	
						1	58	58A0160-000	BUTT SPLICE	
						2	59	79A0021-000	DIODE MTG KIT	
						4	60	79A0050-004	WASHER, INSUL	
						0	61	53A0454-193	WIRE, STRD, WHT	20 AWG
						0	62	53A0454-093	WIRE, STRD, WHT	16 AWG
						0	63	53A0454-092	WIRE, STRD, WHT	14 AWG
						7	64	58A0184-001	TERMINAL, Q.D.	
						32	65	58A0184-002	TERMINAL, Q.D.	
						2	66	58A0041-002	TERMINAL, RING	
						31	67	58A0031-002	TERMINAL, RING	
						<del>2</del>	<del>68</del>	<del>58A0031-004</del>	<del>TERMINAL, RING</del>	
						0	69	79A0009-002	FOAM ADHESIVE	
						1	70	79C0059-000	INSULATOR	
						1	71	21A0062-027	SCREW	6-32 x 3/8
						0	72	79A0009-005	FOAM, ADHESIVE	
						0	73	54A0003- 	SLEEVING, SHRINK	

NOTES:

 SIZE TO BE DETERMINED BY MFG.

DWG NO. 01P1648

REV R

SHEET 5 OF 6

96A0017-001C

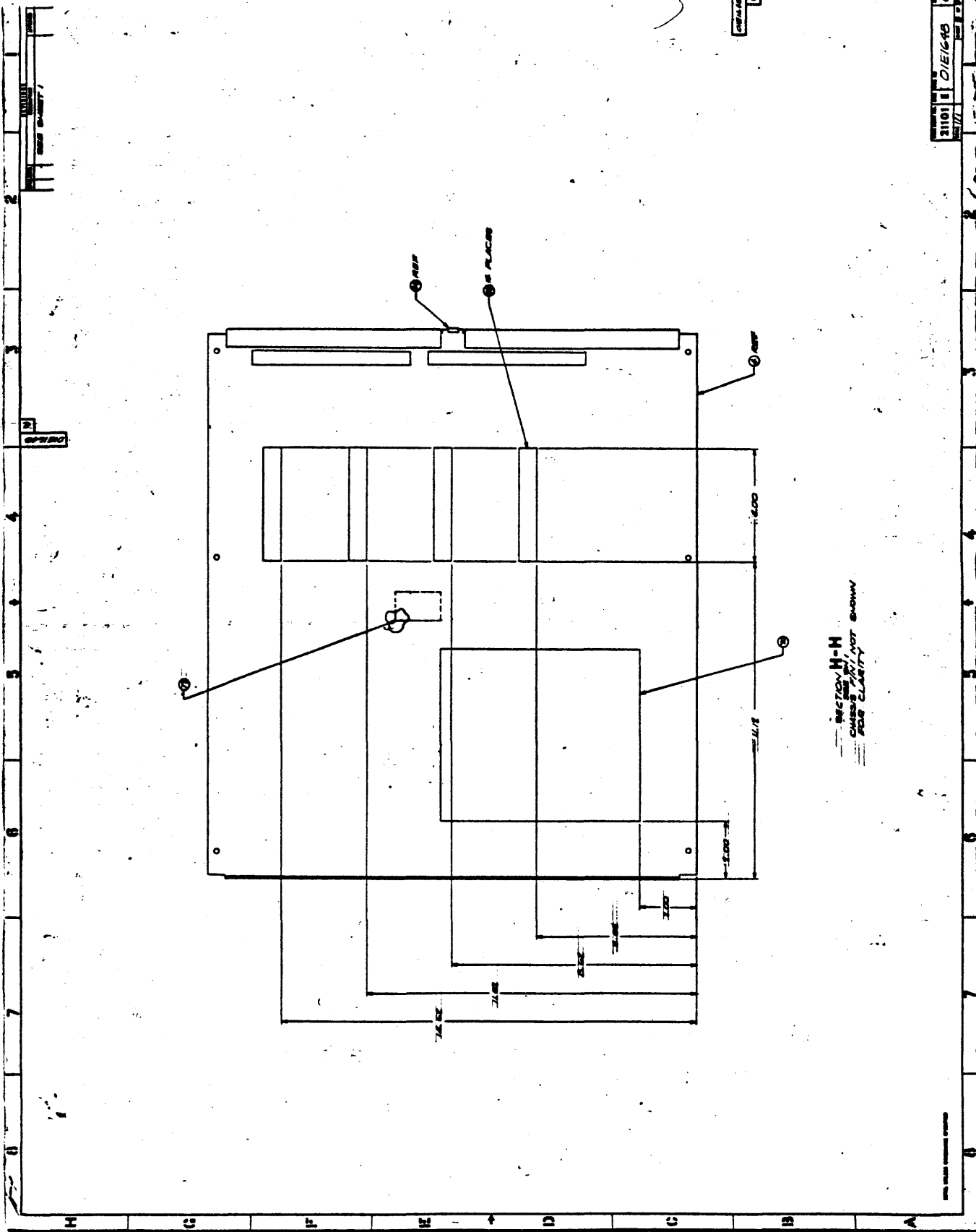
QUANTITY REQ'D PER DASH NO.							PARTS LIST			CODE IDENT: 21101
						000	FIND NO.	PART NUMBER	DESCRIPTION	REMARKS
						1	74	86A0043-000	LABEL, OPER. VOLT	
						1	75	86C0041-001	LABEL, CAUTION	
						1	76	82A0034-000	RELAY	K2
						1	77	58A0129-000	RING TERMINAL	#6
						1	78	<del>58A0116-001</del>	<del>TERMINAL, Q.D.</del>	
						1	79	53P0798-048	DC PWR CABLE	
						1	80	53P0796-048	FAN PWR CABLE	
						1	81	53P0797-048	CONTROL CABLE	
						2	82	58A0145-000	CONN, PIN	
						0	83	53A0453-055	WIRE, TWISTED PR	#20. AWG
						1	84	57A0287-004	CONN, RECP.	J9
						1	85	58A0158-000	TERMINAL	
						4	86	58A0116-000	TERMINAL QD	
						1	87	58A0031-005	TERMINAL, RING	
						4	88	58A0031-003	TERMINAL, RING	
						2	89	58A0116-002	TERMINAL, Q.D.	
						1	90	86C0059-001	DECAL, VOLTAGE	

96A0017-001C







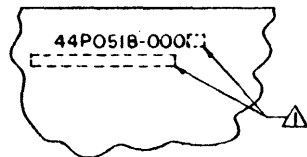
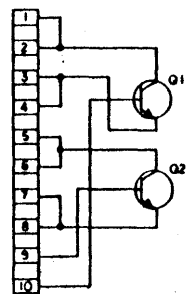
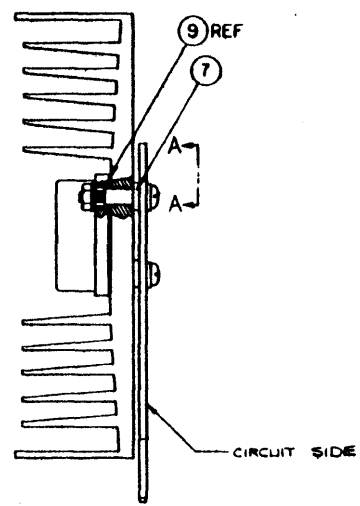
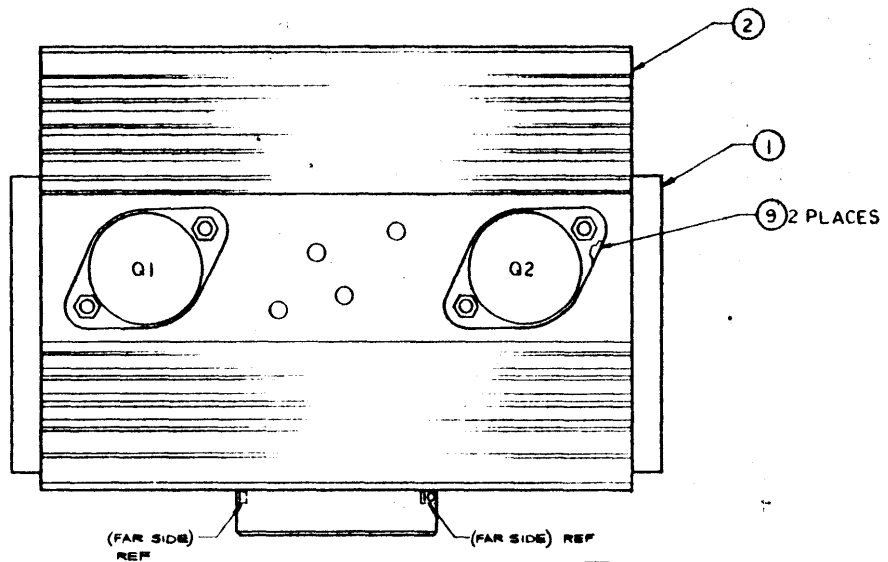


SECTION H-H  
CHASES NOT SHOWN  
FOR CLARITY

31101 01/16/48

44D0518  
B

REVISIONS			
REV	DATE	DESCRIPTION	APPROVED
X		PROTOTYPE RELEASE	
A		PRODUCTION RELEASE PER 625437	
B	6/6	DELETED CALL OUTS 5,6,7 & 4 ADDED NOTE 2 PER 621824C	R/S



VIEW A-A

FOR PARTS LIST SEE  
44P0518

44D0518  
B

2. USE HARDWARE IN ACCORDANCE WITH 98A085G  
 △ MARK 44P0518-000 REVISION LETTER OF PARTS LIST TO WHICH PART WAS MANUFACTURED AND SERIAL NO. USING .12 HIGH PERMANENT CHARACTERS APPROX. WHERE SHOWN.

SCHEMATIC DIAGRAM

REFERENCE DRAWINGS  
 40D0467 — PW BOARD  
 97D0561 — ARTWORK  
 97D0562 — SOLDER MASK

DESG. NO. 620L REV. NO. 6250035 DATE 1/1/62 DRAWN BY J. A. J. CHECKED BY J. A. J. APPROVED BY J. A. J. ALL DIMENSIONS IN INCHES UNLESS OTHERWISE SPECIFIED NO NEW SCALE DRAWINGS	DESG. NO. 620L REV. NO. 6250035 DATE 1/1/62 DRAWN BY J. A. J. CHECKED BY J. A. J. APPROVED BY J. A. J. ALL DIMENSIONS IN INCHES UNLESS OTHERWISE SPECIFIED NO NEW SCALE DRAWINGS	DESG. NO. 620L REV. NO. 6250035 DATE 1/1/62 DRAWN BY J. A. J. CHECKED BY J. A. J. APPROVED BY J. A. J. ALL DIMENSIONS IN INCHES UNLESS OTHERWISE SPECIFIED NO NEW SCALE DRAWINGS	DESG. NO. 620L REV. NO. 6250035 DATE 1/1/62 DRAWN BY J. A. J. CHECKED BY J. A. J. APPROVED BY J. A. J. ALL DIMENSIONS IN INCHES UNLESS OTHERWISE SPECIFIED NO NEW SCALE DRAWINGS
---	---	---	---

HEAT SINK BOARD ASSEMBLY

CONTRACT NO. 21101 D 44D0518

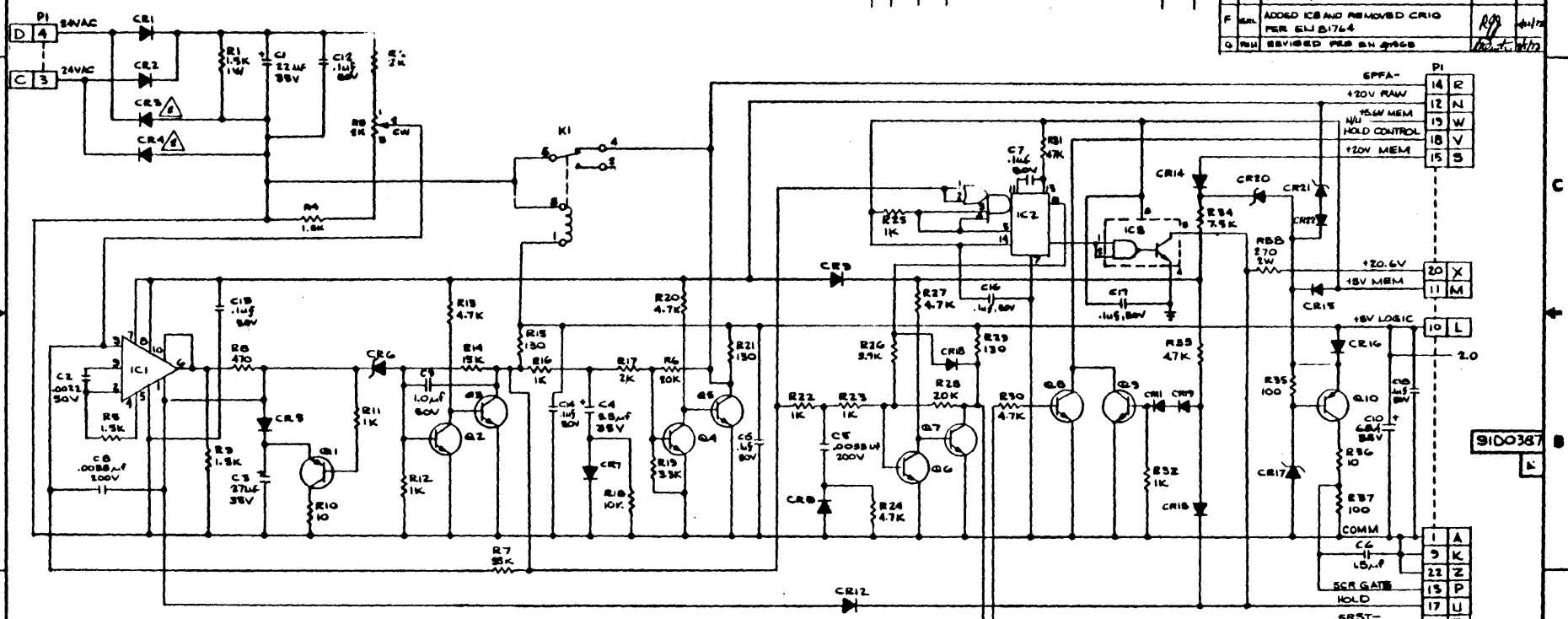
SCALE 1/1

ONE OF 1

NOTE: UNLESS OTHERWISE SPECIFIED

91D0387

REVISION				REVISION			
REV	EN	DATE	DESCRIPTION	REV	EN	DATE	DESCRIPTION
H	0000		ADDED SHEET 2 AND 24 WAS 47.0K, 80V	K			PROTOTYPE RELEASE
J	0000		CR WAS 1.0K, 80V	L			ADDED CR18 AND CR19 PER EN 0133
K	0001		DISCONNECT R20 FROM R29 AND CONNECT TO P-16 8T	M			ADDED CR20 AND CR21 PER EN 0133
L	0001		ADDED CAPACITORS C18-C19	N			ADDED K1 AND C8 WAS 4.0UF PER EN 0122
M	0001		ADDED GENERAL NOTE #12	O			ADDED C9 PER EN 1136
				P			ADDED C10 PER EN 1137
				Q			ADDED C10, CR21 AND CR22 PER EN 1137
				R			ADDED C8 AND REMOVED CR10 PER EN 1174
				S			REVISED PER EN 0166



91D0387

**REFERENCE DRAWINGS**

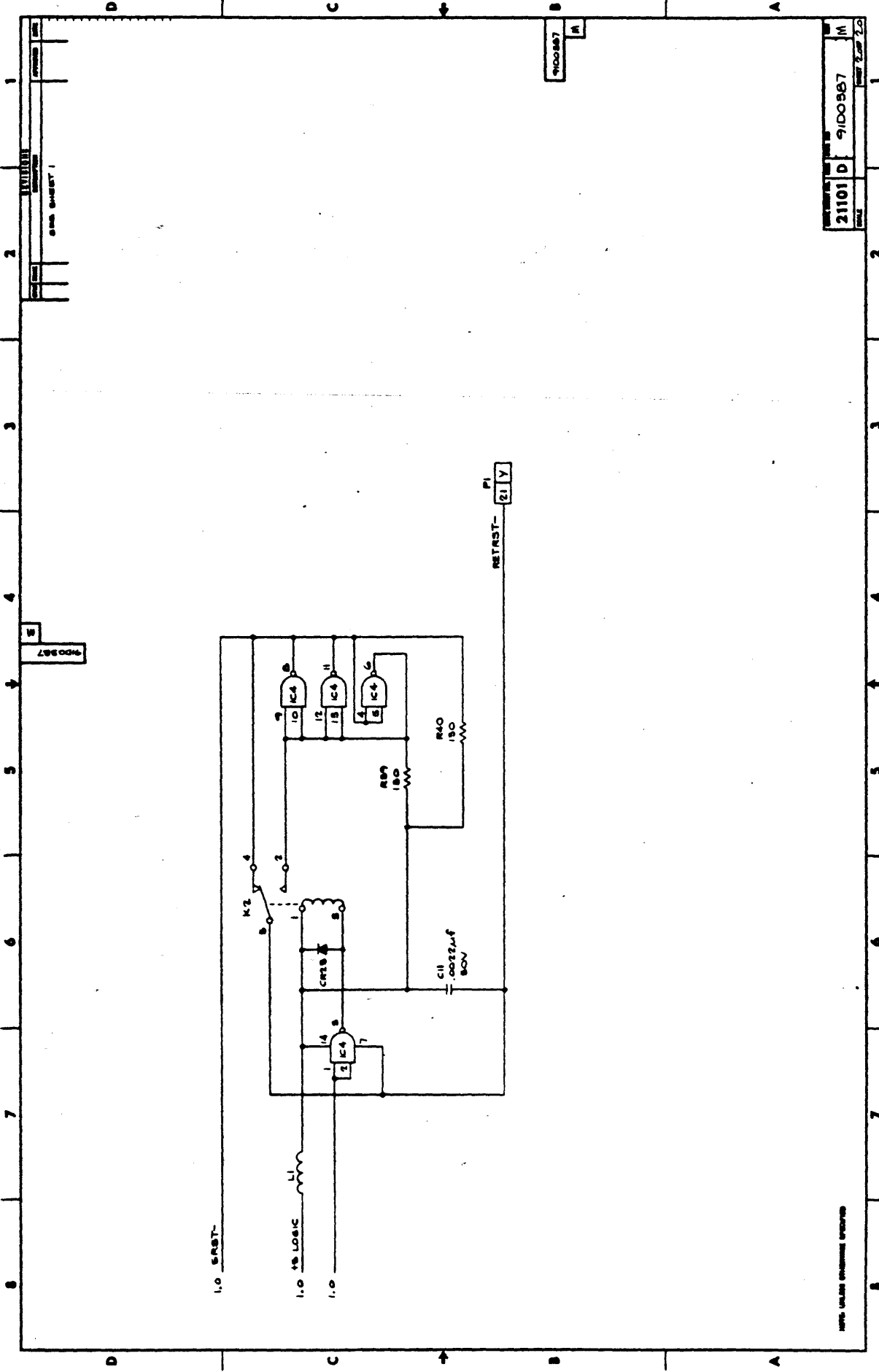
44D0623	ASSEMBLY
44P0623	PARTS LIST
40D0532	P.W. BOARD
37D0770	ARTWORK

**REFERENCE DESIGNATIONS**

LAST USED	NOT USED
R40	
C18	
IC4	
Q10	
CR25	CR10
P1	
K2	
L1	

△ USED ON -000 ONLY.  
1. ALL RESISTORS ARE IN OHMS 1/4W, ±5%  
NOTE: UNLESS OTHERWISE SPECIFIED

<p>DATE: 11/72, 11/73</p> <p>REV: 11/72, 11/73</p> <p>44P0623</p> <p>91D0387</p>	<p>THIS DOCUMENT MAY CONTAIN PROPRIETARY INFORMATION AND SUCH INFORMATION MAY NOT BE RELEASED TO OTHERS FOR ANY PURPOSE OR USED TO REPRODUCE THE ARTICLE IN WHOLE OR IN PART WITHOUT THE WRITTEN PERMISSION FROM THE</p>	<p>LOGIC DIAGRAM-POWER FAIL BOARD (DM361)</p> <p>21101 D 91D0387</p> <p>SCALE: 1.00 X 1.00</p>
--	--	--

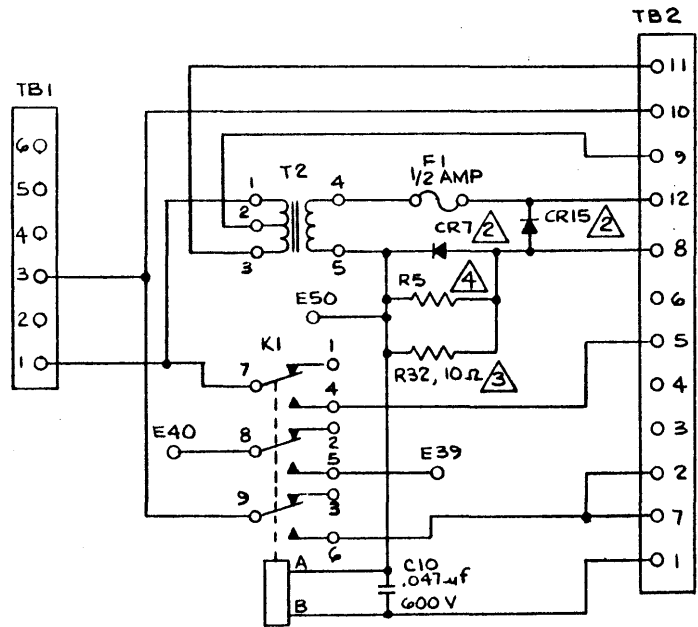


LIBRARY  
SERIALS  
SERIALS  
SERIALS  
SERIALS

21101 D 9/100587 M  
SERIALS  
SERIALS  
SERIALS  
SERIALS

100% VALUE CHANGE GUARANTEED

REV				REVISIONS		DR	APPD
REV	EN	CRG	DATE	DESCRIPTION		DR	APPD
A	7/13/75			PRODUCTION RELEASE			



95C1167  
A

REFERENCE DRAWINGS

40D0502	P.W. BOARD
44C0586	ASSY
44P0586	PARTS LIST
97D0682	ARTWORK
97D0683	SILKSCREEN
97D0684	SOLDERMASK

6. FOR LIST OF REFERENCE DESIGNATIONS USED/NOT USED SEE 95E1060, 95E1016 AND 95E0888.

④ VALUE OF R5 IS -.000 10K, -.001 10Ω.

③ USED ON -.001 ONLY

② CR7 AND CR15 USED ON -.000 ONLY

1. ALL RESISTOR VALUES ARE IN OHMS, 1/4 W, 5%

NOTE: UNLESS OTHERWISE SPECIFIED

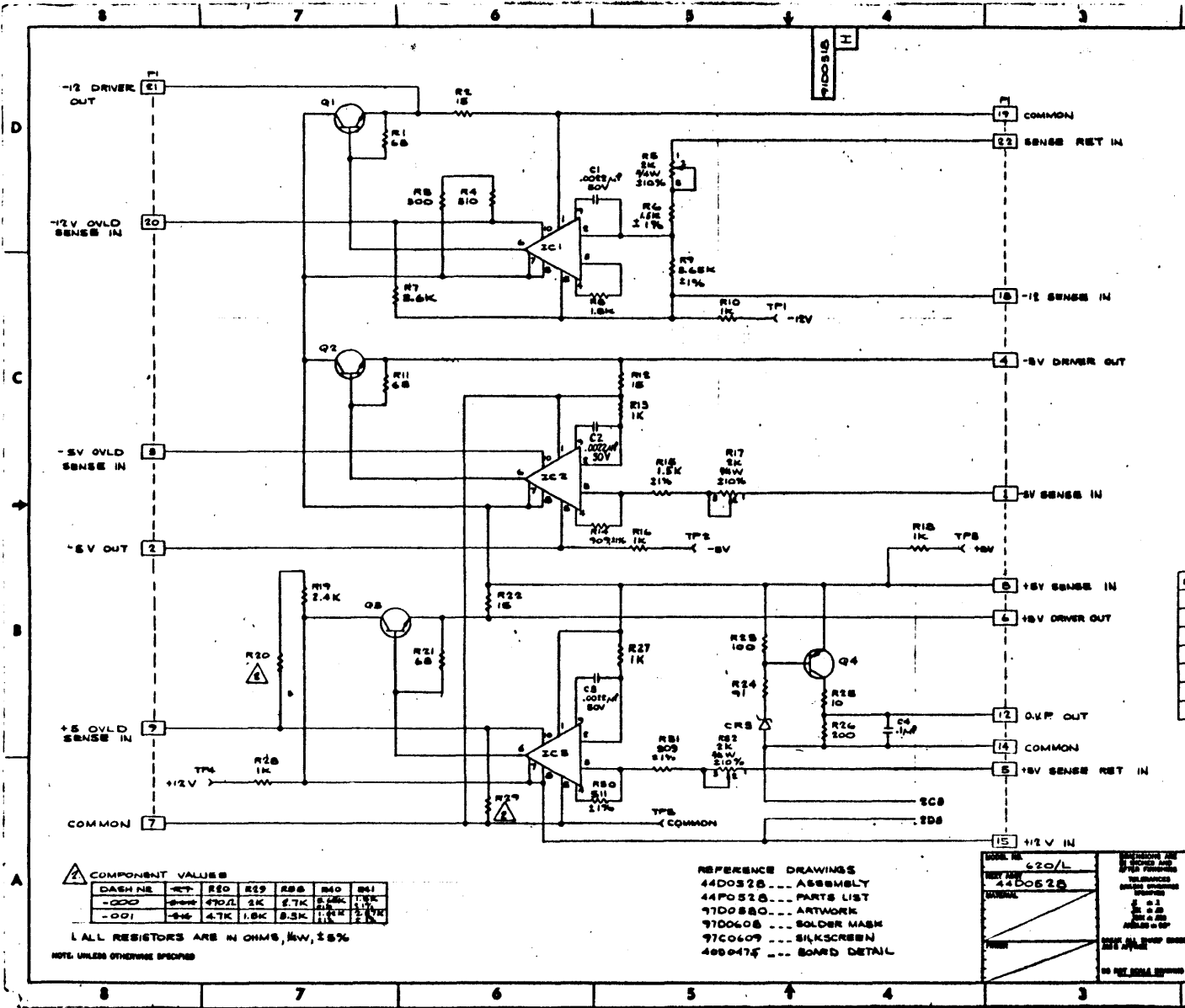
MODEL NO. MULTI USAGE	DIMENSIONS ARE IN INCHES AND AFTER FINISHING	DR <i>Munich</i> 2-17-75	 varian data machines / a varian subsidiary 2722 michelson drive / irvine / california / 92664
NEXT ASSY 44P0586	TOLERANCES UNLESS OTHERWISE SPECIFIED X ±.1 XX ±.03 XXX ±.010 ANGLES ± 0.5°	CHK <i>R.D. Doughton</i> 2-27-75 DSGN <i>Munich</i> 2-17-75 ENGR <i>W. J. ...</i> 2/28/75 APPD <i>...</i> 2/28/75 APPD	
MATERIAL	BREAK ALL SHARP EDGES .010 R APPROX  DO NOT SCALE DRAWING	TITLE SCHEMATIC AC PWR BD	
FINISH		THIS DOCUMENT MAY CONTAIN PROPRIETARY INFORMATION AND SUCH INFORMATION MAY NOT BE DISCLOSED TO OTHERS FOR ANY PURPOSE OR USED TO PRODUCE THE ARTICLE OR SUBJECT, WITHOUT WRITTEN PERMISSION FROM VDM	CODE IDENT NO. <b>21101</b>
		SIZE <b>C</b>	DWG NO. <b>95C1167</b>
		SCALE NONE	REV <b>A</b>
		SHEET 1 OF 1	

4

3

2

1



REVISIONS			
REV	DATE	DESCRIPTION	APPROVED
X		PROTOTYPE RELEASE	
A		PRODUCTION RELEASE PER EN 5479	12/2/66
B	14	REVISED CR1 & R3 WAS 2.0K, R7 WAS 3.3K, R19 WAS 390 OHM WAS 390 OHM, R20 WAS 1.5K, R25 WAS 820 OHM, R26 WAS 200 OHM, R28 WAS 4.3K PER EN 5380	1/1/67
C	14	DELETED CR1 & R2 FROM P/D AND ADDED CR1 & R2 TO INFLUX EN11125	1/1/67
D	14	R6 AND Q1 WAS 3K EN 50011	1/1/67
E	14	OMT 1 ZONE AND T81 WAS 1.5K, L1 WAS 300 OHM WAS 300 OHM, W.R. EN 51725	1/1/67
F	14	ADDED R/M 2 PER EN 53052	1/1/67
G	14	NOTE 2 COMPONENT VALUE -001 R41 WAS 4.2K, 21% PER EN 53650	1/1/67
H	14	NOTE 2 UNLS OUT R7, R8 -001 WAS 4.3K, ADDED VALUE 3.3K TO R7 PER EN 53670	1/1/67

REFERENCE DESIGNATIONS	
LAST USED	NOT USED
C6	CR1, CR2
IC4	
R42	
TP5	
Q5	

COMPONENT VALUES						
DASH NO	REV	R20	R29	R38	R40	R41
-000		470 OHM	2K	2.7K	3.3K	1.5K
-001	14	4.7K	1.6K	3.3K	1.5K	2.2K

ALL RESISTORS ARE IN OHMS, KW, ±5%  
NOTE: UNLESS OTHERWISE SPECIFIED

- REFERENCE DRAWINGS
- 44D032B --- ASSEMBLY
  - 44P052B --- PARTS LIST
  - 97D0580 --- ARTWORK
  - 97D0608 --- SOLDER MASK
  - 97C0609 --- SILKSCREEN
  - 480475 --- BOARD DETAIL

44D032B

DATE: 12/2/66

REV: 14

97D0580

97D0608

97C0609

480475

LOGIC-REGULATOR BOARD

21101 D

91D0318

DATE: 12/2/66

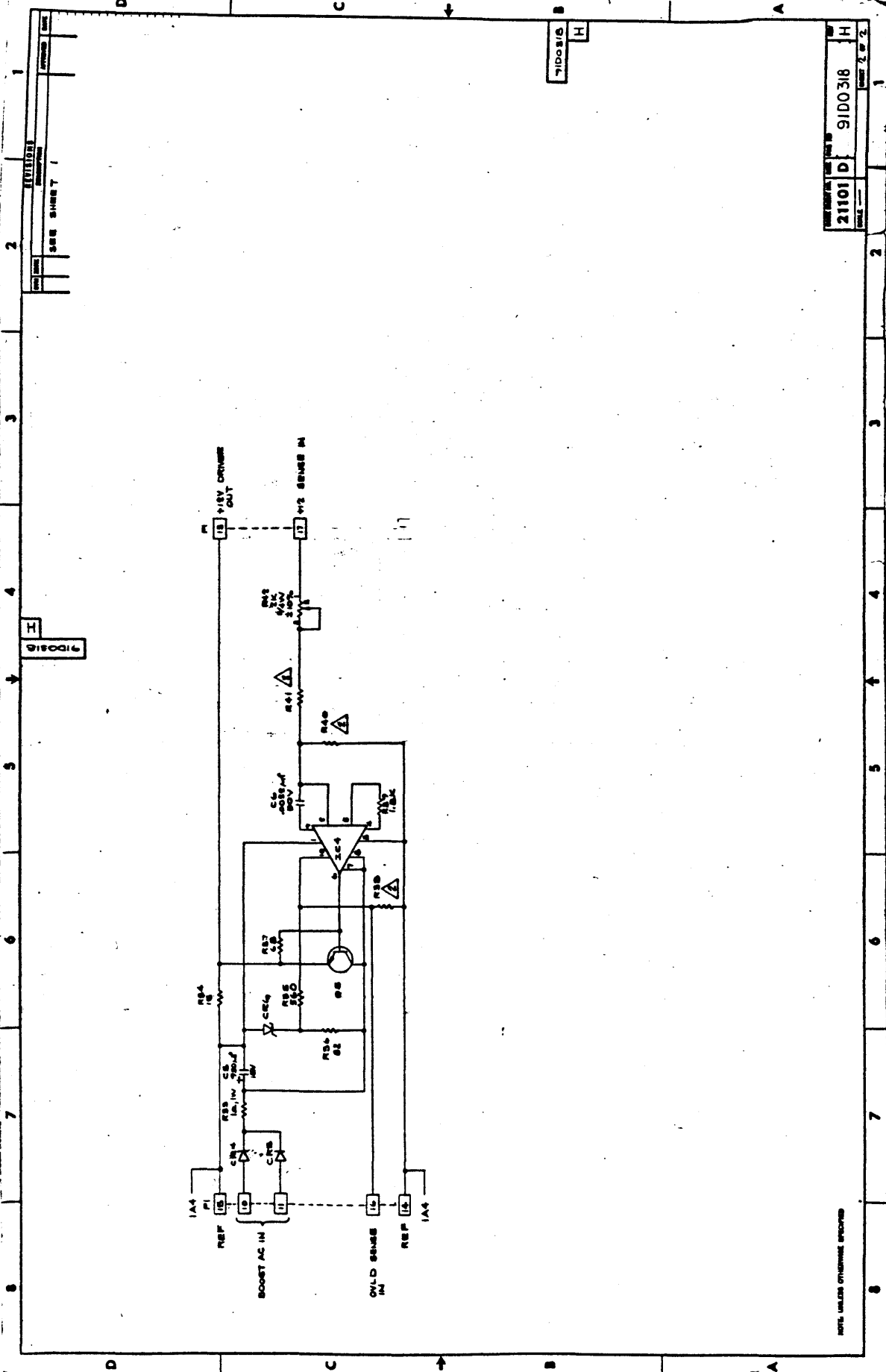
REV: 14

97D0580

97D0608

97C0609

480475



REVISIONS  
 SEE SHEET 1

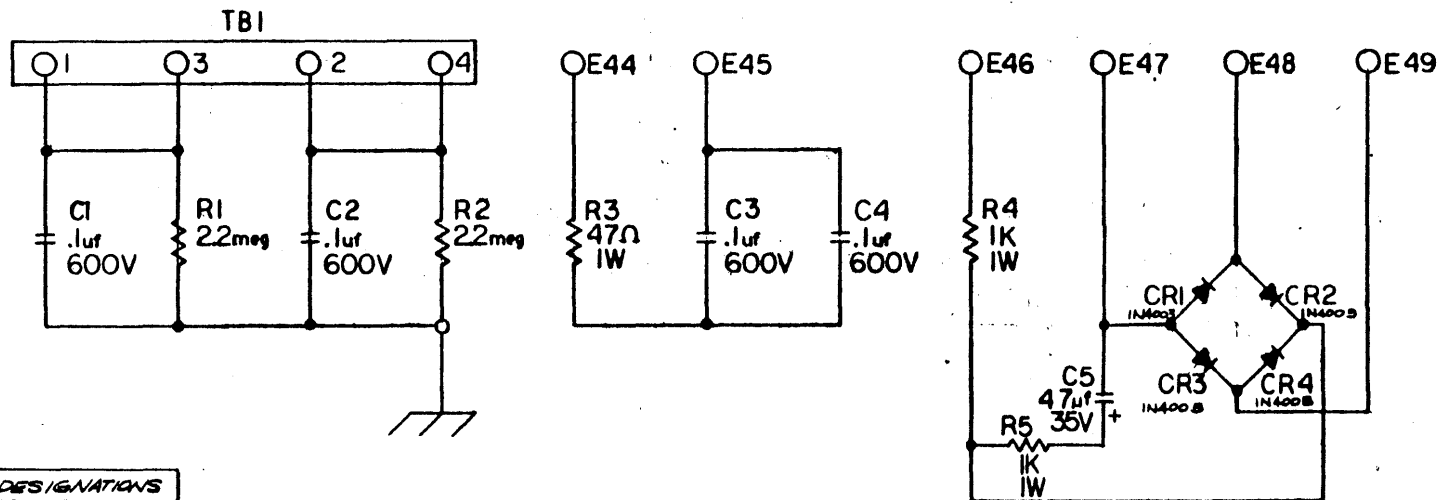
21101 D 9100318 H  
 SHEET 2 OF 2

9100318 H

9100318 H

NOTE: UNLESS OTHERWISE SPECIFIED

REVISIONS					
REV	EN	DATE	DESCRIPTION	DR	APPD
X			PROTOTYPE RELEASE		
A			PRODUCTION RELEASE		



REFERENCE DESIGNATIONS	
LAST USED	NOT USED
CR4	
R5	
C5	
E49	
TBI	

REFERENCE DRAWINGS

- 44D0721 - ASSEMBLY
- 44P0721 - PARTS LIST
- 40D0583 - RW. BOARD
- 87D0925 - ARTWORK
- 87D0944 - SOLDER MASK

1. RESISTORS ARE 1/4W, ±5%

NOTE: UNLESS OTHERWISE SPECIFIED

MODEL NO. V72	DIMENSIONS ARE IN INCHES AND AFTER FINISHING	DR <i>Amel</i> 2-21-74	varian data machines / a varian subsidiary 2722 michelson drive / irvine / california / 92614
NEXT ASSY 44P0721	TOLERANCES UNLESS OTHERWISE SPECIFIED X ± .1 JXX ± .05 ANGLES ± 0.5°	CHK <i>Reuter</i> 5-30-74	
MATERIAL	BREAK ALL SHARP EDGES AND APPROX	DSGN	TITLE SCHEMATIC, AC FILTER BD
FINISH	DO NOT SCALE DRAWING	ENGR <i>Diante</i> 5/2/74	APPD <i>Diante</i> 4/1/74
THIS DOCUMENT MAY CONTAIN PROPRIETARY INFORMATION AND SUCH INFORMATION MAY NOT BE DISCLOSED TO OTHERS FOR ANY PURPOSE OR USED TO PRODUCE THE ARTICLE OR SUBJECT, WITHOUT WRITTEN PERMISSION FROM VDM		APPD	CODE IDENT NO. 21101
		APPD	SIZE C
		APPD	DWG NO 95C1077
		APPD	REV A
		APPD	SCALE / VDM
		APPD	SHEET / OF /

4

3

2

1



