

MODEL 33 RO, KSR, ASR SETS (3300, 3310, 3320 SERIES)

WDP0316

DRAWING NO.	SHEET NO.	DESCRIPTION	ISSUE NUMBER																																								
			1	2	3	4	5	6	7	8	9	10	11	12	13	14	15	16	17	18	19	20	21	22	23	24	25	26	27	28	29	30	31	32	33								
SCHEMATICS																																											
118030	ALL	3300, 3310, 3320 SERIES SETS	1	1	2	2	3	4	5	5	5	5	6	6																													
9334WD	1	KEYBOARD	1	1	1	1	2	2	2	2	2	2	2																														
ACTUALS																																											
9335WD	1	WIRING DIAGRAM FOR TYPING UNIT	1	2	2	2	2	3	4	4	4	4	4																														
4401WD	ALL	WIRING DIAGRAM FOR MOTORS	6	6	6	7	7	7	7	7	7	7	7																														
9336WD	ALL	WIRING DIAGRAM FOR CALL CONTROL UNIT UCC6	-	1	1	1	1	1	1	1	1	1	2	3																													
4370WD	1	WIRING DIAGRAM FOR SELECTOR MAGNET DRIVER	6	6	6	6	6	6	6	6	6	6	6																														
-	-	WIRING DIAGRAM FOR KEYBOARD REFER TO 9334WD ABOVE	-	-	-	-	-	-	-	-	-	-																															
789/WD	1	WIRING DIAGRAM FOR READER	3	3	3	3	4	4	4	4	4	4	4																														
CIRCUIT CARDS																																											
181621		SELECTOR MAGNET DRIVER	10	10	10	10	10	10	10	10	10	12	12	12	12																												
183079		AUTOMATIC READER POWER PACK	9A	9A	10	10	11	12	13	13	13	13	13																														
183087		HANDUAL READER POWER PACK	11	11	11	11	11	11	11	12	12	13	13	13																													
TELETYPE CORPORATION																																											
21643R		NOTE : THE LAST COMPLETED COLUMN INDICATES THE LATEST ISSUE NUMBER OF WDP.																														SHEET 1 OF 1											

CONTENTS	SHEET NO.	SHEET INDEX																									SHEET NO.
		ISSUE NO.																									
		1	2	3	4	5	6	7	8	9	10	11	12	13	14	15	16	17	18	19	20	21	22	23	24	25	
SHEET INDEX SUPPORTING INFORMATION	A1	1	2	3	4	5	6																				A1
FS-1 RECEIVE	B1	1	1	1	1	1	1																				B1
FS-2 SEND	B2	1	1	1	1	2	2																				B2
FS-3 LOCAL LOOP CURRENT SUPPLY	B3	1	1	1	1	1	1																				B3
FS-4 MODE CONTROL	B4	1	1	1	1	1	1																				B4
FS-5 AUXILIARY CIRCUITS	B5	1	1	1	2	2	2																				B5
FS-6 READER CONTROL	B6	1	1	1	1	1	1																				B6
FS-7 AUTOMATIC READER LOGIC	B7	1	1	2	2	2	2																				B7
FS-8 READER FEED	B8	1	1	1	1	1	1																				B8
FS-9 115V AC POWER DISTRIBUTION	B9	1	1	1	1	1	2																				B9
FS-10 MOTOR	B10	1	1	1	1	1	1																				B10
FS-11 48V AC POWER DISTRIBUTION	B11	1	2	2	2	2	2																				B11
APPARATUS FIGURES	C1	1	1	1	1	1	1																				C1
NOTES	D1	1	1	1	1	1	1																				D1
BD-1 CIRCUIT BLOCK DIAGRAM	H1	1	1	1	1	1	1																				H1
BD-2 SIGNAL AND AUXILIARY	H2	1	1	1	1	1	1																				H2
BD-3 READER CONTROL	H3	1	1	1	1	1	1																				H3
BD-4 AC POWER	H4	1	1	1	1	1	1																				H4

SUPPORTING INFORMATION	
CATEGORY	NO.
WIRING DIAGRAM PACKAGE FOR MODEL 33 RD, KSR, AND ASR SETS 3300, 3310, 3320 SERIES.	WSP 0316

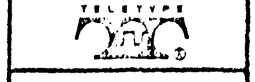
- SHEET INDEX NOTES**
- WHEN CHANGES ARE MADE IN THIS DRAWING ONLY THOSE SHEETS AFFECTED WILL BE REISSUED.
 - THIS SHEET INDEX WILL BE REISSUED AND UPDATED EACH TIME ANY SHEET OF THE DRAWING IS REISSUED OR A NEW SHEET IS ADDED.
 - THE LAST COMPLETED COLUMN INDICATES THE LATEST ISSUE NUMBER OF THE SHEET INDEX.
 - SHEETS THAT ARE NOT CHANGED WILL RETAIN THEIR EXISTING ISSUE NO.
 - ISSUE DATES WILL BE SHOWN ON THE SHEET INDEX ONLY.

REVISIONS		
ISSUE	DATE	AUTH NO.
1	7-7-71	2160314
2	11-10-71	4357 60
3	1-11-72	4350
4	1-17-72	4455
5	1-17-72	4497-R0
6	5-23-73	6197

NCP

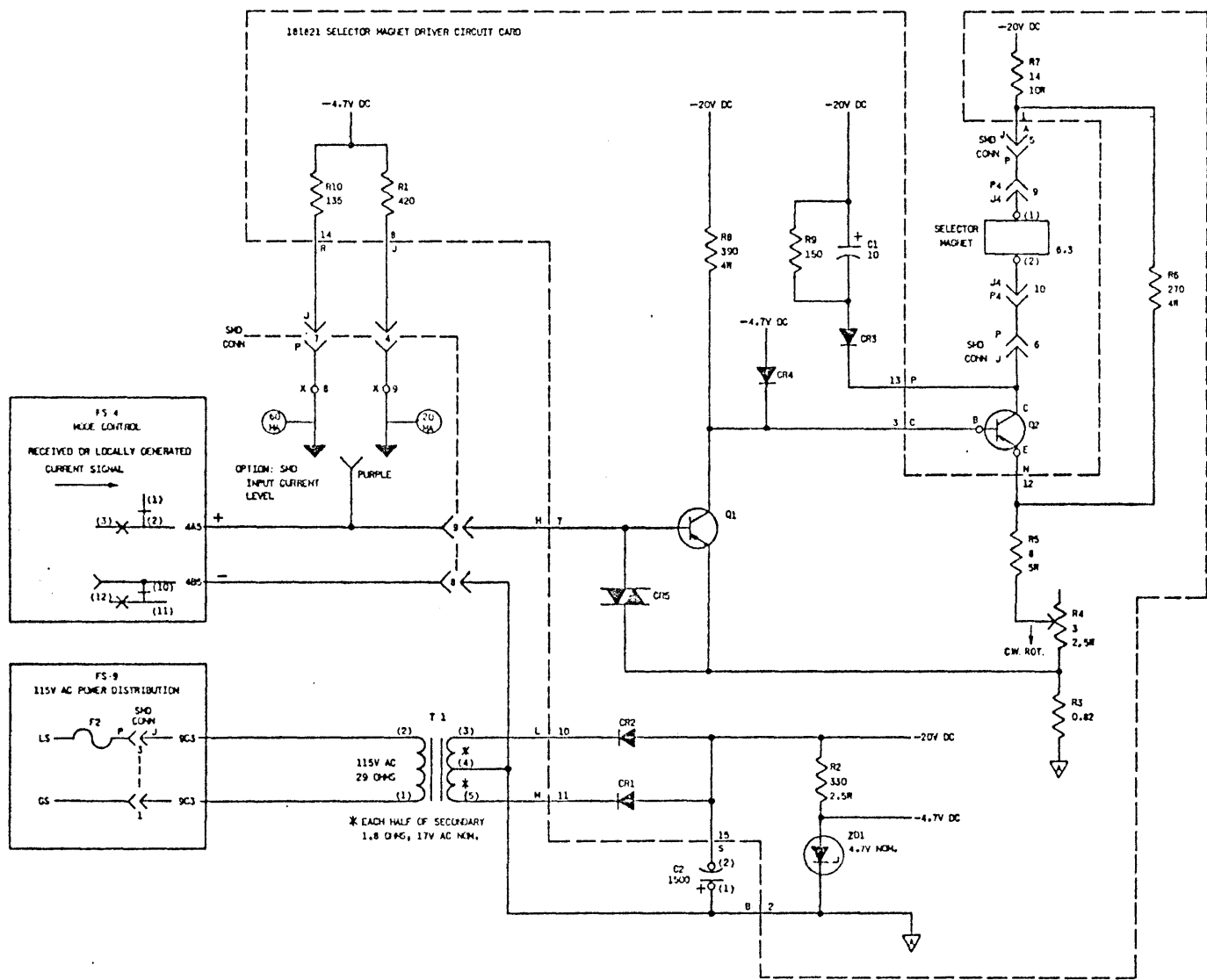
MODEL 33
RD, KSR, AND ASR SETS
3300, 3310, 3320 SERIES

APPROVALS		
PROJ. SUPV.	PROJ. DIR.	MFG. REL. COMPL.
DJR	RRS	JOM
ENGR. DFR.	DSGMR.	
DRN. SLD	DATE 5-14-71	
R & D FILE 6-A152-219A		
S-NUMBER 61.910		

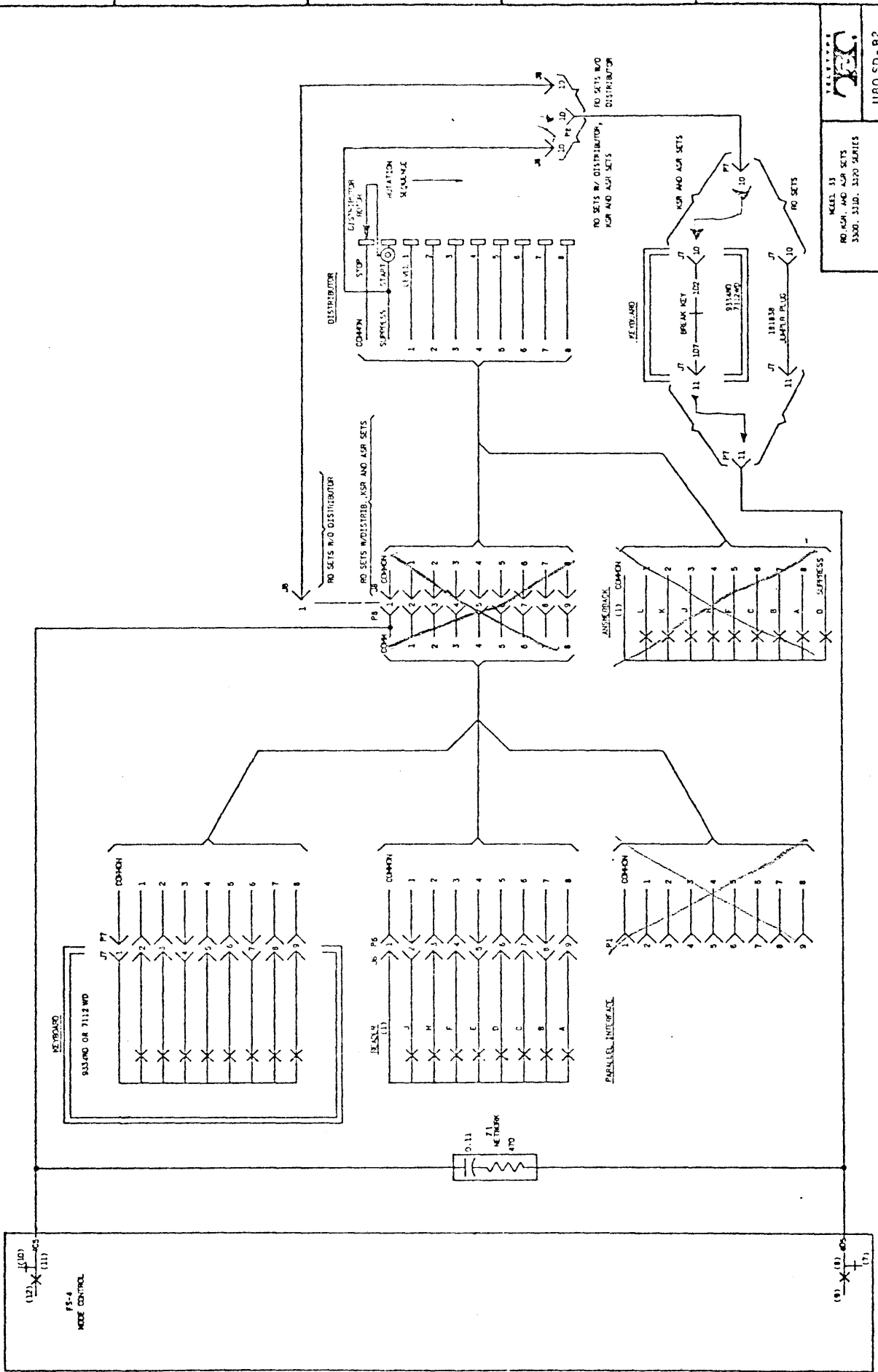


1180SD-A1

FS-1 RECEIVE



FS-2 SEND CIRCUIT



(12) X (10) (11)

FS-4
KEY CONTROL

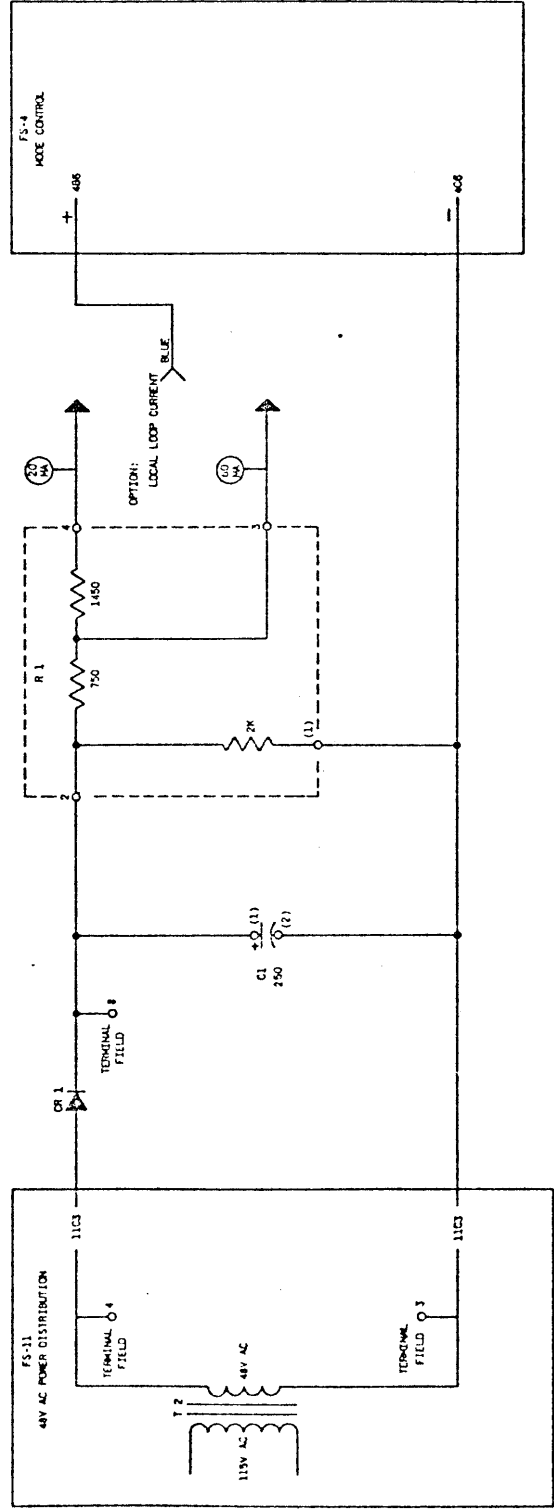
(9) X (8) (7)

TELETYPE
1180 SD - B2

WELLS 31
ROTOR AND ALPH SETS
3300, 3310, 3370 SERIES

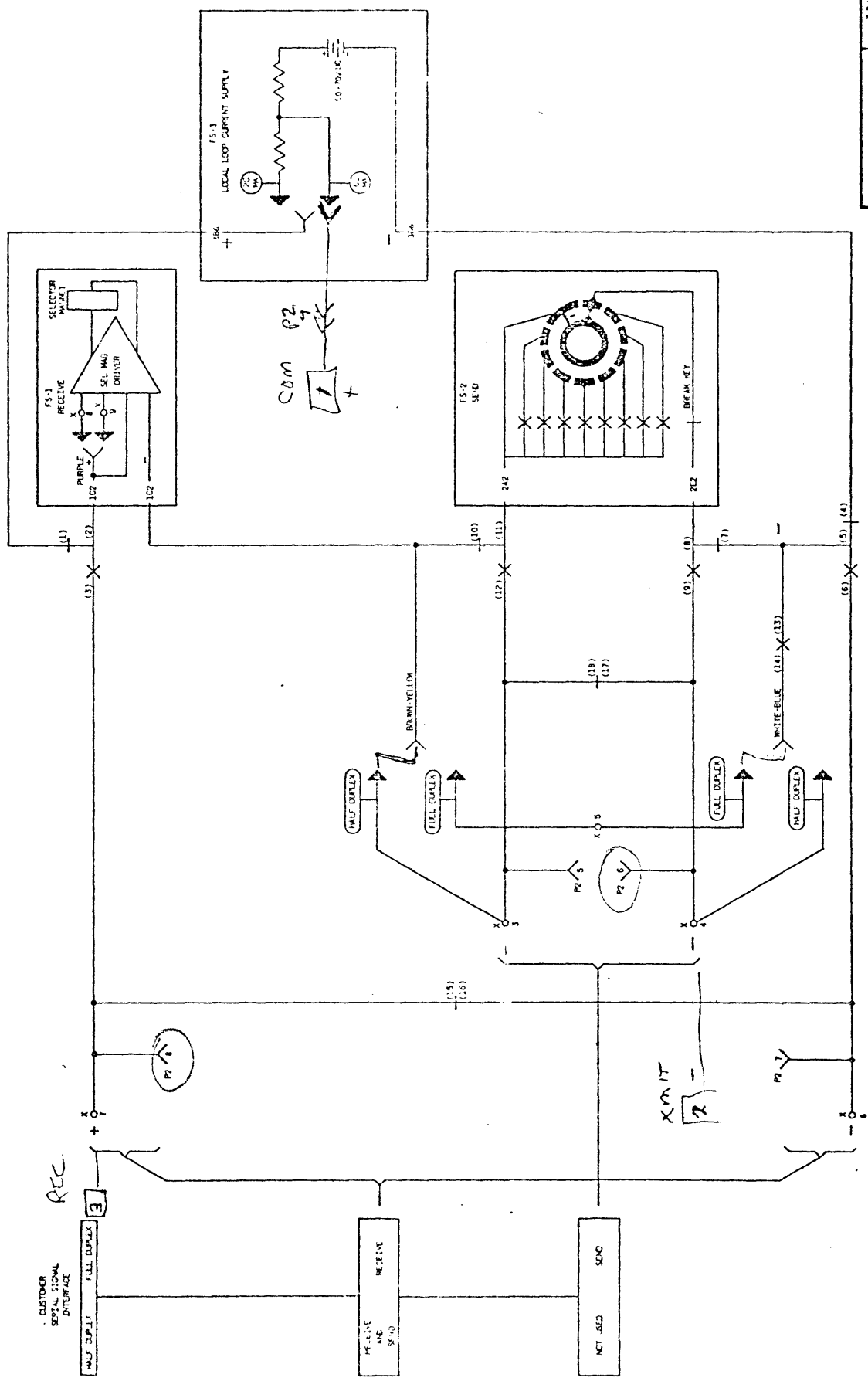
ISSUE

FS-3 LOCAL LOOP CURRENT SUPPLY



SHEET NOTES
 1 ALL RELAY CONTACTS ON THIS SHEET ARE PART
 OF THE RELAY.
 C.W. IS SHOWN ON FIG. 1

FS-4 MODE CONTROL



FS-5

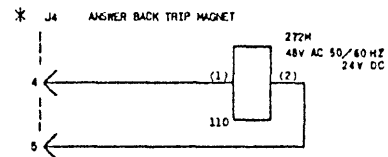
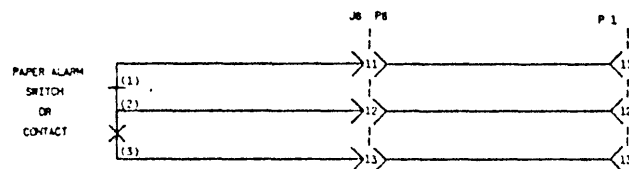
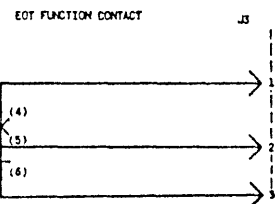
AUXILIARY CIRCUITS (FOR CUSTOMER USE)

ISSUE
1
2

PAPER ALARM

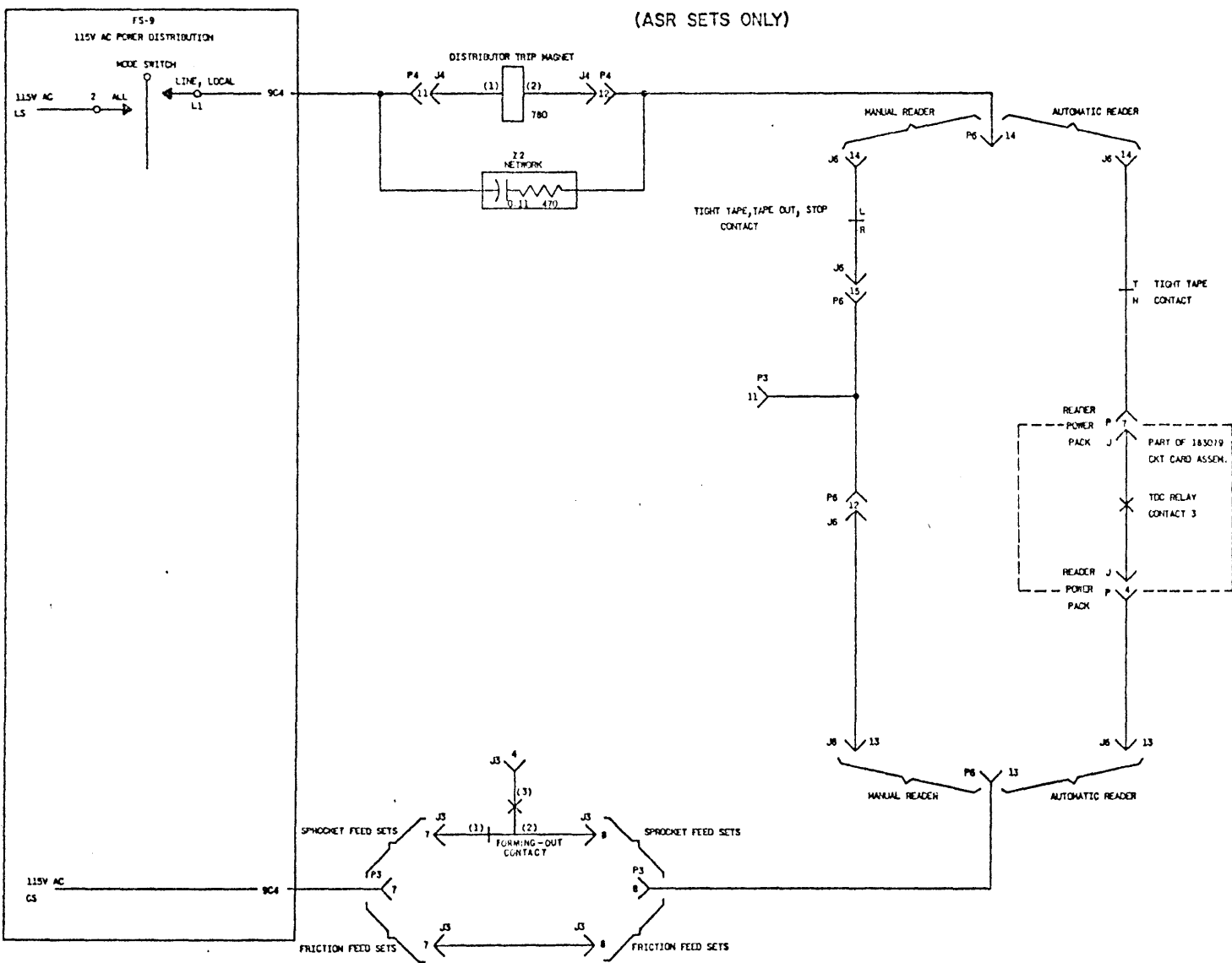
PAPER FEED	TITLE	CONDITION SIGNALLED	TYPE
FRICION:	LOW PAPER SWITCH	APPROX. 25 FT. OF PAPER LEFT	SWAP ACTION SWITCH
SPOCKET:	PAPER OUT CONTACT	END OF LAST FORM	CONTACT PILE

	LOCATION	CONTACT RATING
FRICION:	IN FRONT OF MOTOR FAN	
SPOCKET:	NEAR LEFT END OF PLATEN	



* CUSTOMER ACCESS TO THE PINS SHOWN IS TO BE MADE FROM INSIDE THE CALL CONTROL UNIT BACK PLATE, USING 182644 (22-28 ANG) OR 185677 (18-20 ANG) FEMALE TERMINALS.

FS-6 READER CONTROL (ASR SETS ONLY)

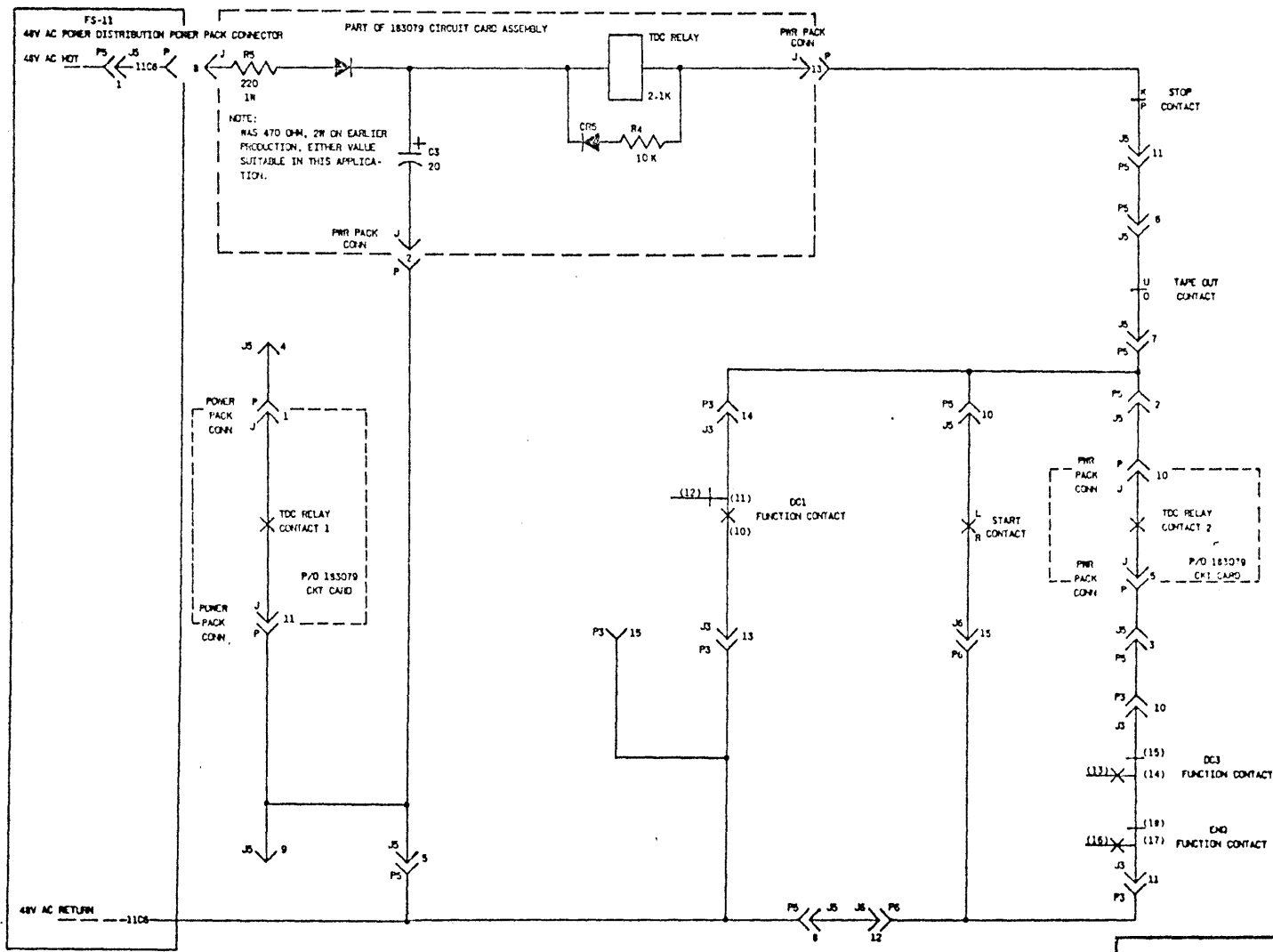


ISSUE
1
2

FS-7

AUTOMATIC READER LOGIC

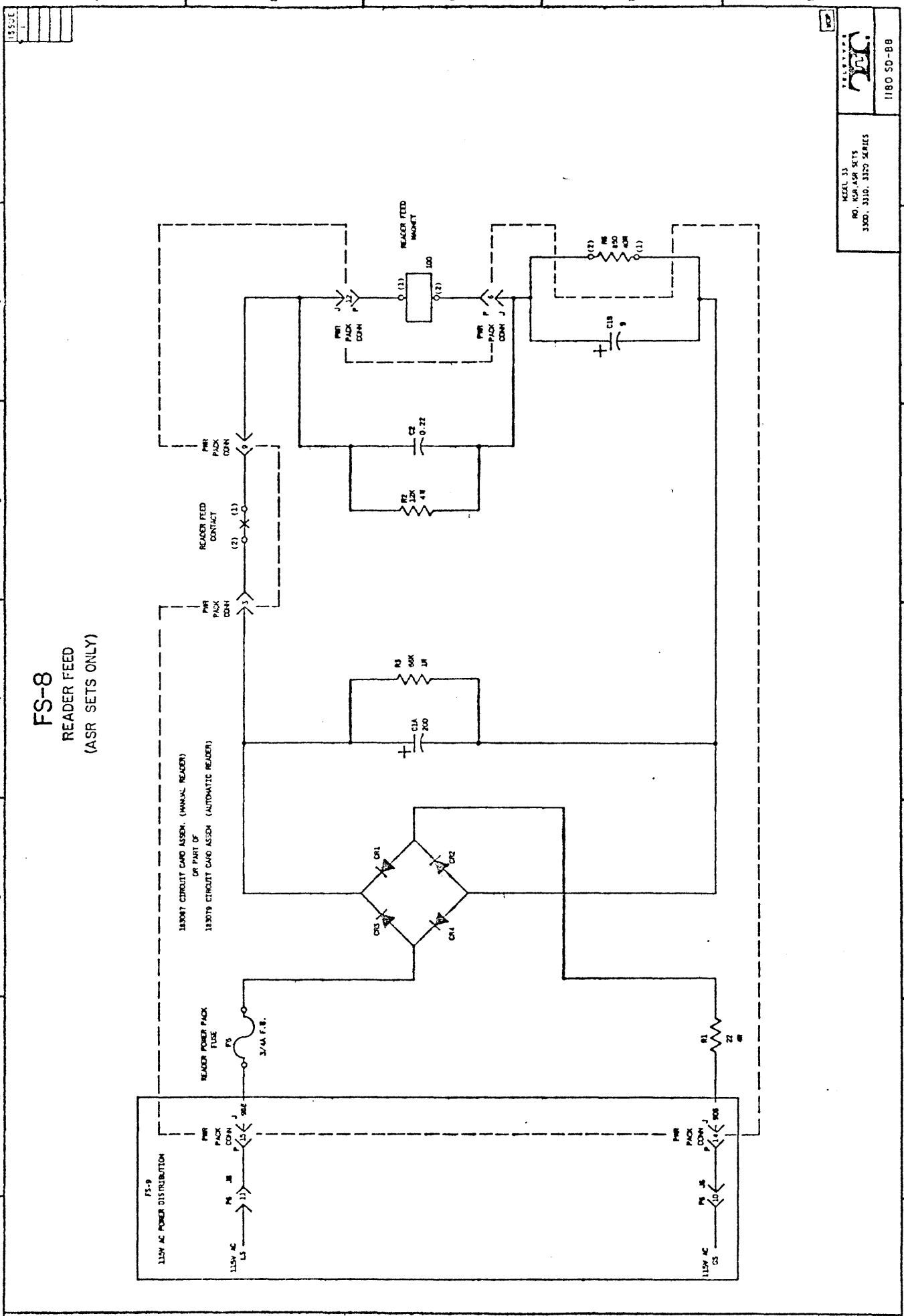
(ASR SETS W/AUTOMATIC READER ONLY)



MODEL 33
NO. MSR, ASR SETS
3300, 3310, 3320 SERIES



1180 SD-B7



FS-9 115VAC POWER DISTRIBUTION

ISSUE
1
2

