

## **Master View CPU Switch**

### **CS-102/CS-122 User's Manual**



---

### **Packing Checklist**

- 1 CS-102 or CS-122 CPU Switch
- 1 User's Manual

Please read this manual thoroughly and follow the installation procedures carefully to prevent any damage to the CS-102/CS-122 and/or the devices it connects to.

©Copyright 1995 Aten® International Co., Ltd.  
Manual Part No. PAPE-0135-100  
Printed in Taiwan 08/95

All brand names and trademarks are the registered property of their respective owners.

## Introduction

The CS-102 or CS-122 CPU Switch is a controller for one user to access multiple computers. Before the development of the Master View, the only way to control multiple computer configurations from a single console was through a complex and costly network system. Now, with a Master View CPU Switch, you can easily access multiple computers in a cost effective manner. The CS-102 and CS-122 are basically similiar in their functions. The difference is that the latter offers PS/2 mouse ports.

There are two methods to switch from one computer to the other: with a pushbutton switch, or with Hot Keys. Setup is fast and easy; plugging cables into their appropriate ports is all that is entailed. There is no software to configure or install, and there are no incompatibility problems. Since the Master View intercepts keyboard input directly, it works on any hardware platform and with all operating systems.

A CS-102/CS-122 can control up to two computers. Units can be cascaded to three levels, allowing the user to control even more computers. A powerful auto-scan feature scans all operational computers one by one and stops upon user requests. The CS-102/CS-122 CPU Switch is ideal for Server, Control Room, Testing, etc.

## Features

CS-102 for PCs / CS-122 for PS/2s.

PS/2 Mouse and MS Mouse Emulation.

Supports SVGA, VGA, and Mutisync Monitors.

Simple Keystrokes or Pushbutton for PC Selection.

Buzzer Sounds for Switching Confirmation.

Three Stage Cascadable.

Power-free Operation.

Auto Scan and Manual Selection.

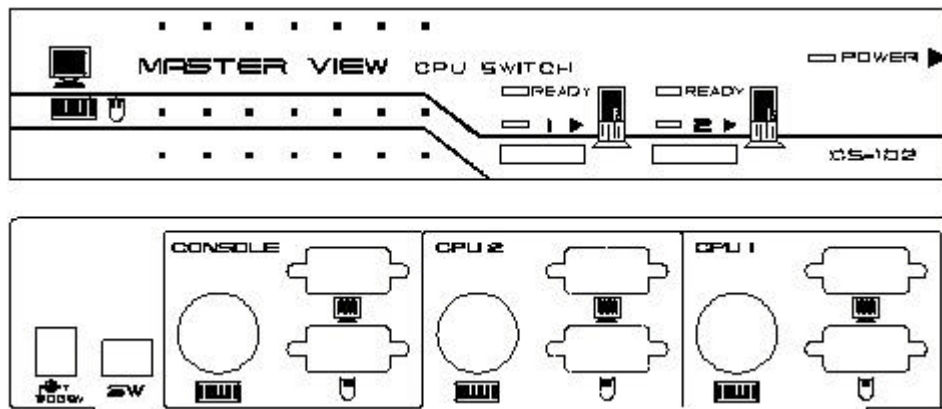
Caps Lock, Num Lock, Scroll Lock States Automatically Saved and Restored When Switching Among Computers.

Scan Mode Automatically Switches Through Powered On Computers - Scan Rate is DIP Switch Selectable.

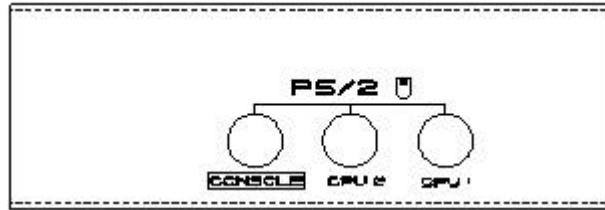
Saves Space, Equipment, and Power Costs.

Easy Hot Key Control is Compatible With Normal Keyboard Operation.

CS-102/CS-122 Front and Rear Views



CS-122 Side View



## Specifications

Function	Specification
Power Consumption	DC 9V 160mA (max.)
PC Connections	2
PC Selected By	Keyboard/Button
LEDs	1 Power
	2 Ready
	2 Select
Scan Interval	3, 10, 20, 40 Sec.
Keyboard Connector	5-pin DIN <sup>+</sup> , 6-pin mini-DIN <sup>+</sup>
Mouse Connector	9-pin D Type Male/Female
PS/2 Mouse Connector	6-pin mini-DIN Female <sup>+</sup>
Monitor Connector	15-pin D Type Female/Male
Enclosure	Plastic and Metal
Weight	1150g
Dimensions (L x W x H)	224 x 152 x 52 (mm)

<sup>+</sup> CS-102

<sup>+</sup> CS-122

## Installation

Installation is fast and easy; plugging cables into their appropriate ports is all that is entailed. A Master View CS-102/CS-122 unit can control two PCs. To control even more computers, units can be cascaded to three levels, with each other, and down from CS-104s and CS-106s.

### One Stage Installation

A One Stage Installation enables one CS-102 or CS-122 to control up to two computers, as shown in Fig. A, below.

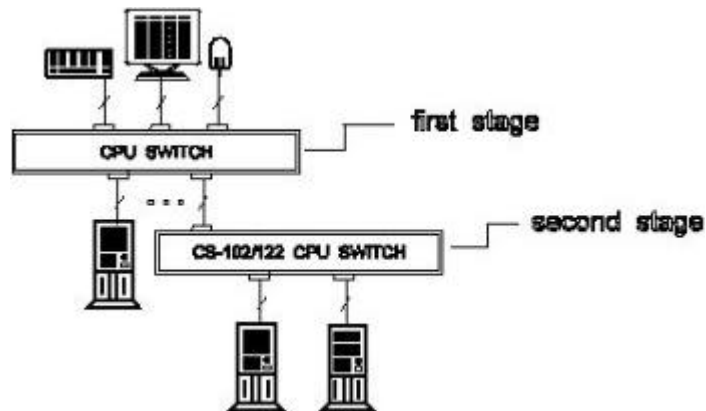
Fig. A

1. Set DIP switch 4 to **ON**.
2. Connect the monitor output port, mouse port, and keyboard port of the computer to either of the PC ports on the CPU SWITCH with appropriate cables. 5-pin DIN connectors are for AT style keyboard sockets; 6-pin mini-DIN connectors are for PS/2style keyboard sockets.
3. Use either port per computer.
4. Add a power adapter if the CPU Switch works abnormally.

## Two Stage Installation

Adding a second stage enables one CPU Switch (the first stage CS-104 or CS-106) to control computers directly or indirectly via cascaded CPU Switches (the second stage CS-102, CS-104 or CS-106). The number of PCs under control is determined by the configuration.

Fig. B



1. Set DIP switch 4 of the first stage CPU Switch to ON and all others off.
2. Computers may be connected to the first stage and the second stage CPU Switches. 5-pin DIN connectors are for AT style keyboard sockets; 6-pin mini-DIN connectors are for PS/2 style keyboard sockets.
3. Use either keyboard port per computer.
4. To connect the keyboard ports of two CPU Switches, use the 5-pin DIN ports only.

- Note:**
1. Add a power adapter if the CPU Switch works abnormally.
  2. Neither the PC1 or PC2 port of a CS-102 or CS-122 can be connected to a CS-104 or CS-106.
  3. For PS/2 users: You must connect a PS/2 mouse, because a serial mouse can not replace a PS/2 mouse. For cascaded operation, connect PS/2 mouse ports of successive stages using a 6-pin mini-DIN male-to-male cable.

## Three Stage Installation

Adding a third stage enables one CPU Switch (the first stage CS-104 or CS-106) to control computers directly or indirectly via cascaded CPU Switches (the second and third stage CS-102, CS-104 or CS-106). The number of PCs under control is determined by the configuration.

Fig. C

1. Set DIP switch 4 of the first stage CPU Switch to ON and all others off.
2. Computers may be connected to the first stage, the second stage, and the third stage CPU Switches. 5-pin DIN connectors are for AT style keyboard sockets; 6-pin mini-DIN connectors are for PS/2 style keyboard sockets.
3. Use either keyboard port per computer.
4. To connect the keyboard ports of two CPU Switches, use the 5-pin DIN ports only.

- Note:**
1. Add a power adapter if the CPU Switch works abnormally.
  2. Neither the PC1 or PC2 port of a CS-102 or CS-122 can be connected to a CS-104 or CS-106.
  3. For PS/2 users: You must connect a PS/2 mouse, because a serial mouse can not replace a PS/2 mouse. For cascaded operation, connect PS/2 mouse ports of successive stages using a 6-pin mini-DIN male-to-male cable.

## Operation

There are two ways to access any computer on the installation: by pressing the front panel *SELECT BUTTON*, or by entering *Hot Keys* from the keyboard. Once a computer has been accessed, the CPU Switch directs keyboard control, mouse control, and video image of that computer to you as if the computer were right next to you.

### Front Panel Button Selection

To select a computer with this method, simply press the front panel *SELECT BUTTON* of the CPU Switch it connects to several times. When it is selected, the corresponding LED turns on to indicate so.

For a two stage installation, you have to select with both CPU Switches; for a three stage installation, you have to select with all three CPU Switches.

The *SELECT LED* turns on when the *SELECT BUTTON* is pressed.

### Hot Key Selection

Hot Keys are entered by pressing and releasing **Alt**, **Ctrl**, and **Shift** keys simultaneously, followed by the command key(s), and end with pressing the **Enter** key.

#### 1. Scan Mode:

Scan Mode automatically scans powered on computers one-by-one from the first computer of the first stage to the last computer of the last stage. To start Scan mode, enter this combination:

[Alt+Ctrl+Shift]+0+[Enter]

To end Scan Mode, press:

Space

#### 2. Previous/Next Mode:

Previous/Next Mode selects powered on computers manually one-by-one from the first computer of the first stage to the last computer of the last stage. To start Previous/Next mode, enter this combination:

[Alt+Ctrl+Shift]+9+[Enter]

To select the previous port, press:

LeftShift

To select the next port, press:

RightShift

To end Previous/Next Mode, press:

Space

#### 3. Direct Port Selection:

With Direct Port Selection you can access any powered on computer on the installation directly. To directly select a first stage port, enter this combination:

[Alt+Ctrl+Shift]+#[Enter]

Where # represents the port number that the computer you wish to access is attached to.

To directly select a second stage port, enter this combination:

[Alt+Ctrl+Shift]+###[Enter]

Where the first # represents the port number on the first stage switch, and the second # represents the port number on the second stage switch that the computer you wish to access is attached to.

To directly select a third stage port, enter this combination:

[Alt+Ctrl+Shift]+####[Enter]

Where the first # represents the port number on the first stage switch, the second # represents the port number on the second stage switch, and the third # represents the port number on the third stage switch that the computer you wish to access is attached to.

Note: # is a digit between 1 and 6 for a CS-106; 1 and 4 for a CS-104; and 1 and 2 for a CS-102/CS-122.

#### 4. Hot Key Summary:

Hot Key functions are summarized in the table, below:

	Results For Correct Hot Keys*
Scan	<ul style="list-style-type: none"><li>• Filters out the Hot Keys and beeps once</li><li>• Scans powered on computers one by one and flashes corresponding LED</li><li>• Scan rate is set by the DIP switch of the 1st stage CS-104</li><li>• Pressing the Space bar stops this mode</li></ul>
Prev/Next	<ul style="list-style-type: none"><li>• Filters out the Hot Keys and beeps once</li><li>• [RightShift] selects a higher numbered computer</li><li>• [LeftShift] selects a lower numbered computer</li><li>• Pressing the Space bar stops this mode</li></ul>
Direct	<ul style="list-style-type: none"><li>• Filters out the Hot Keys and beeps once for a ready port; otherwise, beeps twice</li><li>• Switches to the selected port</li></ul>



## Appendix

### LEDs

The CS-102/CS-122 contains one *Power LED*, two *Ready LEDs*, and two *Port Select LEDs* on its front panel. Their indications are as follows:

**Power LED:** Lights when the CPU Switch is running.

**Ready LED:** Lights when the connected PC or CPU Switch is running.

**Port Select LED:** Lights to indicate the currently selected port.

Depending on conditions, the Port Select LED turns on and off according to the following pattern:

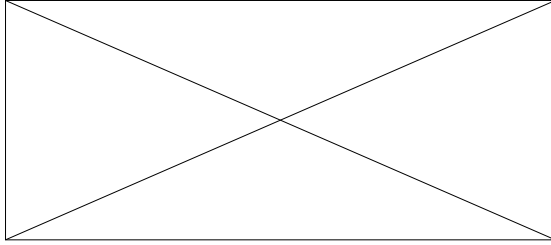
Condition		Pattern
1	Port Not Selected	Off
2	Port Connects to a CPU Switch	Flashes Long Off; Short On
3	Port Connects to a Computer	Steady On
4	Port Connects to a Computer Under Previous/Next Mode	Flashes Long On; Short Off
5	Port Connects to a Computer Under Scan Mode	Flashes On and Off Equally

### DIP Switch Setting

Scan Time is determined by the DIP Switch of the First Stage\* CPU Switch. For the second and the third-stage CS-102/122 units, all DIP switches are set to **Off**.

DIP Switch Number				Scan Time
1	2	3	4	
ON	ON	X	ON	3 Sec.
OFF	ON	X	ON	10 Sec.
ON	OFF	X	ON	20 Sec.
OFF	OFF	X	ON	40 Sec.

\* The CPU Switch that the keyboard, monitor, and mouse connect to is the First Stage unit.



## Troubleshooting

Symptom	Cause	Action
1st stage CS-102/CS-122 does not take Hot Keys.	Incorrect DIP Switch settings.	Set the First Stage CS-102/CS-122 DIP Switch 4 to <b>ON</b> ; for all other (cascaded) CS-102 units, set DIP Switch 4 to <b>OFF</b> .
Pressing Hot Keys gets no response.	CS-102/CS-122 is in Scan Mode or Previous/Next Mode.	Press the <b>Spacebar</b> to exit Scan Mode or Previous/Next Mode.
	Selected port connects to a powered off computer.	Change the port selection to a powered on computer.
	Improper keyboard reset.	Unplug the keyboard from the connector, then plug it back in.
	Improper CS-102/122 reset.	Turn off all CS-102s/122s, wait for 5 seconds, then turn them back on.
		Turn off all computers, wait for 5 seconds, then turn them back on.
The CS-102/122 does not work properly.	The CS-102/122 can not get enough power from CPUs.	Use a DC 9V power adapter with the First Stage CS-102/122.

## Preventing Radio & TV Interference

**WARNING!!!** This equipment generates, uses, and can radiate radio frequency energy and if not installed and used in accordance with the instruction manual, may cause interference to radio communications. It has been tested and found to comply with the limits for a Class A computing device pursuant to Subpart J of Part 15 of FCC Rules, which are designed to provide reasonable protection against such interference when operated in a commercial environment. Operation of this equipment in a residential area is likely to cause interference in which case the user at his own expense will be required to take whatever measures may be required to correct the interference.

## Limited Warranty

IN NO EVENT SHALL THE DIRECT VENDOR'S LIABILITY EXCEED THE PRICE PAID FOR THE PRODUCT FORM DIRECT, INDIRECT, SPECIAL, INCIDENTAL, OR CONSEQUENTIAL DAMAGES RESULTING FROM THE USE OF THE PRODUCT, DISK, OR ITS DOCUMENTATION.

The direct vendor makes no warranty or representation, expressed, implied, or statutory with respect to the contents or use of this documentation, and specially disclaims its quality, performance, merchantability, or fitness for any particular purpose.

The direct vendor also reserves the right to revise or update device or documentation without obligation to notify any individual or entity of such revisions, or update. For further inquires please contact your direct vendor.

