

INTRODUCTION

With SCSI Card 2930U, you can connect up to seven SCSI peripherals to any IBM-compatible computer with PCI expansion slots.

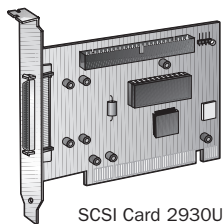
This installation guide provides step-by-step instructions for

- Installing the SCSI Card 2930U
- Preparing the SCSI peripherals
- Connecting internal SCSI peripherals (for example, SCSI hard disk drives)
- Connecting external SCSI peripherals (for example, SCSI scanners, CD-Recordables, and backup tape drives)
- Installing the SCSI Card 2930U software

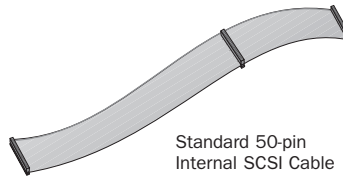
See the *SCSI Card 2930U User's Reference* included in this package for additional information on using the SCSI Card 2930U.

Before You Begin

- Make sure your SCSI Card 2930U package includes the following items:



SCSI Card 2930U



Standard 50-pin
Internal SCSI Cable

- Check your computer properties for an available IRQ setting. If an IRQ setting is available, you may begin this installation. If an IRQ setting *is not* available, you will not be able to install this SCSI card. See page 9 in the *SCSI Card 2930U User's Reference* for additional information on IRQ settings.
- Check which SCSI peripherals will be connected to the computer. To connect more than two internal SCSI peripherals; or one or more external SCSI peripherals, you'll need additional cables not included in this package. These cables are described in the *SCSI Card 2930U User's Reference*.

INSTALLING THE SCSI CARD 2930U

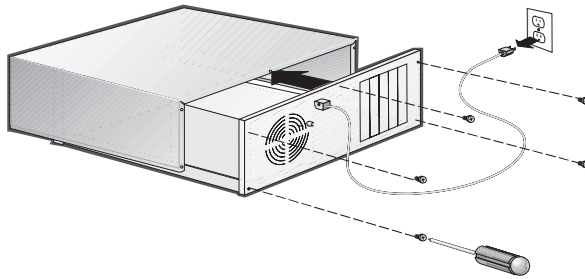
STEP 1

Discharge any static electricity build-up before handling the SCSI card by touching a grounded metal object (like the exposed metal parts on the back of your computer).

WARNING Turn OFF power to the computer and disconnect the power cord.

STEP 2

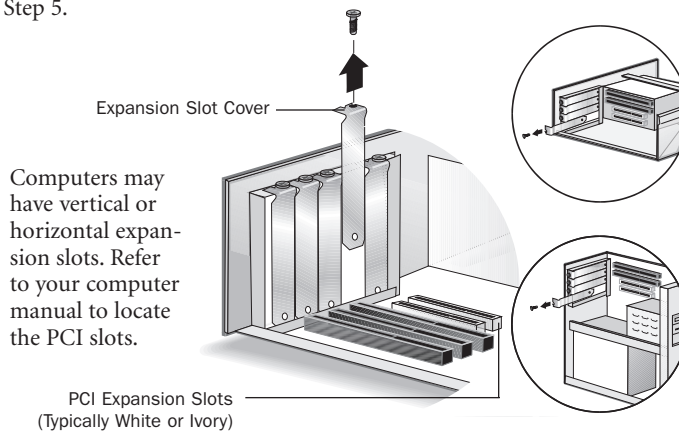
Remove the cover from the computer. (Refer to your computer manual for instructions on removing the cover.)



NOTE If your computer is a tower model, it's easier to install the SCSI card when the tower is laid on its side.

STEP 3

Locate an unused PCI expansion slot (typically white or ivory) and remove the expansion slot cover. Save the slot cover screw for use in Step 5.

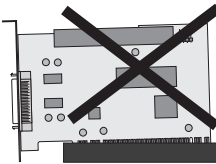
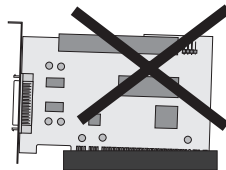
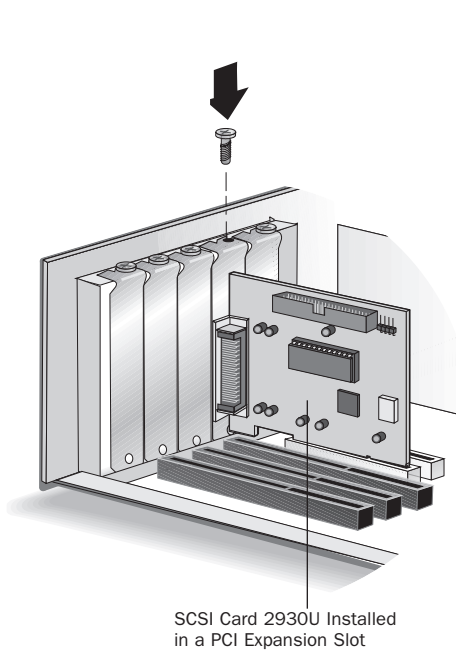


STEP 4

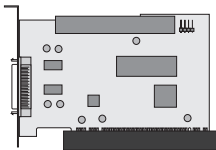
Remove the SCSI Card 2930U from its antistatic packaging. Always handle the card by its edges.

STEP 5

Insert the SCSI Card 2930U into the PCI expansion slot. Press down firmly until the SCSI card clicks into place, and then replace the slot cover screw.



These Slightly Tilted SCSI Cards Are Incorrectly Seated in the Slot.



When Properly Seated, the Gold Fingers at the Bottom of the SCSI Card Should Hardly Show.

STEP 6

Now you're ready to install SCSI peripherals. Continue with *Preparing the SCSI Peripherals*.

PREPARING THE SCSI PERIPHERALS

Setting up SCSI peripherals before attaching them to the SCSI card typically involves setting SCSI IDs and termination, mounting internal peripherals inside your computer, and connecting power cables to each peripheral. Since setup can vary from peripheral to peripheral, always refer to the peripheral's documentation for specific instructions. Below are some guidelines for setting SCSI IDs and termination on your peripherals.

NOTE If you refer to the peripheral's documentation for installation instructions, be sure to return to this document and continue with *Installing the SCSI Card 2930U Software* on page 10.

Check the SCSI IDs

The SCSI Card 2930U and each peripheral you connect to it requires a unique SCSI ID number ranging from 0 to 7. ID numbers don't have to be sequential, as long as the SCSI Card 2930U and each peripheral have a different number. The SCSI Card 2930U is preset to ID 7 and should not be changed.

If you will be booting from a SCSI hard disk, it's best to set the disk's ID at 0 or 1. Most SCSI hard disks come from the factory preset to ID 0. The IDs for internal peripherals are usually set with jumpers; external peripherals are usually set with a switch on the back of the peripheral.

Terminate the Ends of the SCSI Bus

To ensure reliable communication on the SCSI bus, the peripheral at the end of each cable, or the end of the cable itself, must have a terminator installed (or enabled). The peripherals between the ends of each cable must have the terminator removed (or disabled). See *Terminating the SCSI Bus* on page 3 in the *SCSI Card 2930U User's Reference*.

- To install internal SCSI peripherals, see the next section, *Connecting Internal SCSI Peripherals*.
- To install external SCSI peripherals only, replace your computer cover and skip to *Connecting External SCSI Peripherals* on page 8.

CONNECTING INTERNAL SCSI PERIPHERALS

STEP 1

Verify each internal SCSI peripheral you are installing has a unique SCSI ID from 0 to 6. Refer to the peripheral's documentation to determine the SCSI ID setting.

If any two SCSI peripherals (internal or external) you are connecting to the SCSI card have the same SCSI ID, change the SCSI ID on one peripheral. The SCSI Card 2930U is preset to SCSI ID 7 and should not be changed. See the *SCSI Card 2930U User's Reference* for additional information on SCSI IDs.

STEP 2

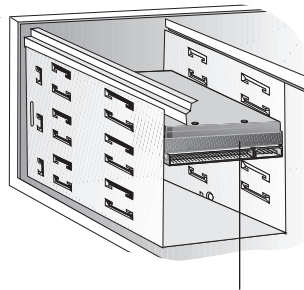
If you are installing one internal SCSI peripheral only, terminate that peripheral. If you have two or more internal peripherals, terminate the peripheral that will be connected at the end of the cable.

For more information on termination, refer to the peripheral's documentation or page 3 of the *SCSI Card 2930U User's Reference*.

STEP 3

Mount each internal SCSI peripheral in an available drive bay inside your computer.

Refer to your computer and peripheral documentation for instructions on installing peripherals inside your computer.



Internal SCSI Peripheral Mounted
in Drive Bay Inside Your Computer

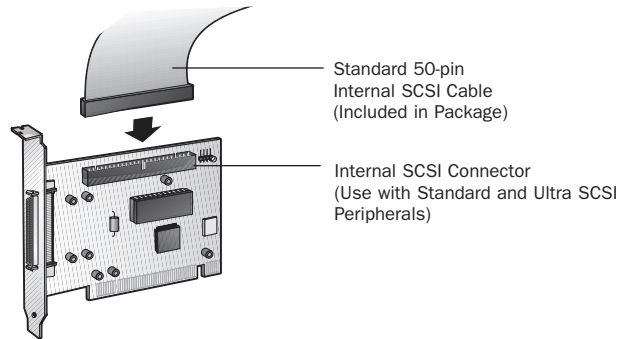
NOTE

If it's difficult reaching behind your internal SCSI peripherals mounted in the drive bay, try connecting the internal SCSI peripherals to the SCSI cable and power supply (Steps 5-7 below) *before* mounting each peripheral inside your computer.

STEP 4

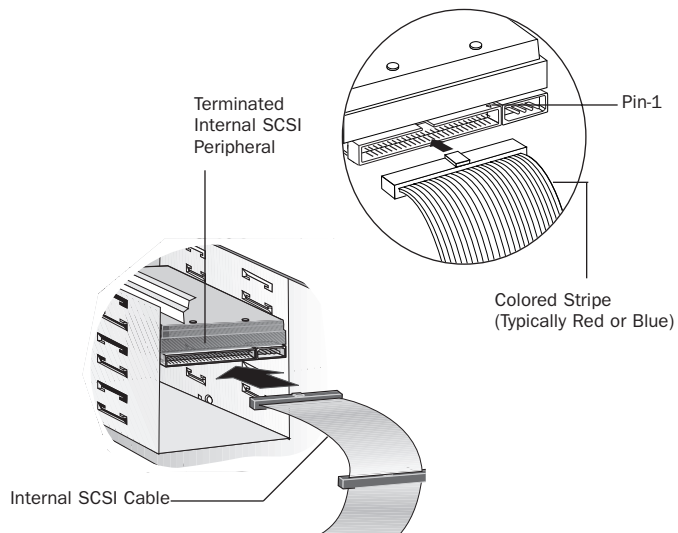
Connect one end of the internal SCSI cable to the SCSI Card 2930U's internal SCSI connector.

To connect more than two internal SCSI peripherals to the SCSI Card 2930U, you'll need an internal SCSI cable with enough connectors to accommodate all of your peripherals. See the *SCSI Card 2930U User's Reference* for additional information on connecting your SCSI peripherals and ordering cables.

**STEP 5**

Connect the other end of the cable to the last internal peripheral (this peripheral *must* be terminated; see Step 2 above).

Make sure the colored stripe on the side of the cable aligns with Pin-1 of the internal peripheral's connector. Pin-1 is usually designated by a small triangle or "1".

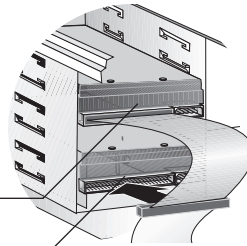


STEP 6

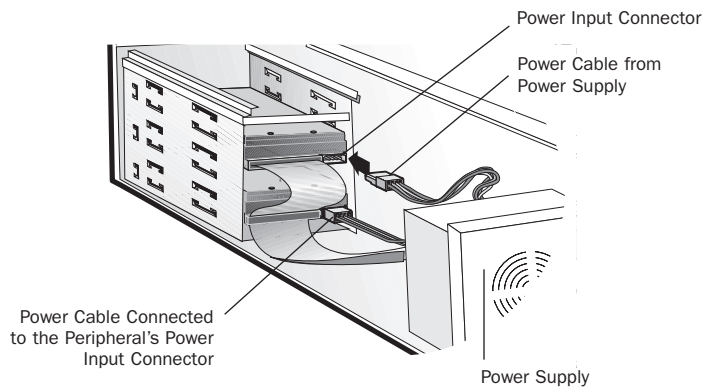
Connect the remaining connectors on the cable to any remaining internal peripherals (*do not* terminate these peripherals; see Step 2 above).

Terminated Internal SCSI Peripheral

Unterminated Internal SCSI Peripheral

**STEP 7**

Connect a power cable from your computer's power supply to the power input connector on the SCSI peripheral. Repeat this step for each additional SCSI peripheral.

**STEP 8**

Replace your computer cover.

STEP 9

If you are installing internal SCSI peripherals only, follow these steps:

- a Reconnect the power cables to the computer.
- b Install any software included with your SCSI peripheral.
- c Return to this guide and continue with *Installing the SCSI Card 2930U Software* on page 10.

If you are installing external SCSI peripherals, continue to the next section.

(Continued on the other side)

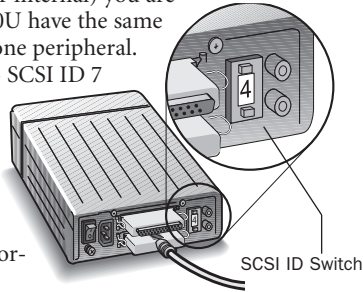
CONNECTING EXTERNAL SCSI PERIPHERALS

STEP 1

Verify each external SCSI peripheral has a unique SCSI ID from 0 to 6. Refer to the peripheral's documentation to determine the SCSI ID setting.

If any two peripherals (external or internal) you are connecting to the SCSI Card 2930U have the same SCSI ID, change the SCSI ID on one peripheral. The SCSI Card 2930U is preset to SCSI ID 7 and should not be changed.

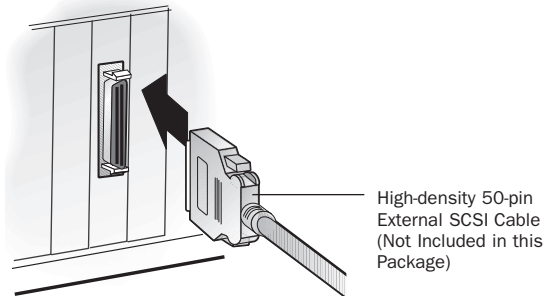
For most external SCSI peripherals, the SCSI ID is set with a switch on the back of the peripheral. See the *SCSI Card 2930U User's Reference* for additional information on SCSI IDs.



STEP 2

Connect one end of the external SCSI cable to the SCSI Card 2930U's external SCSI connector. Push the connectors together until they lock in place.

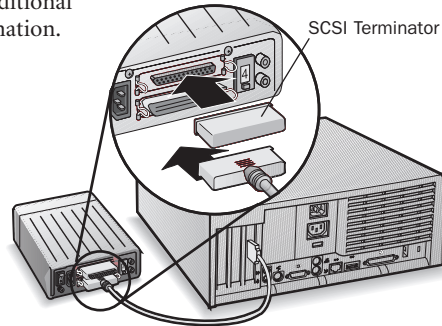
For each external SCSI peripheral you install, you'll need a high-quality external SCSI cable. See the *SCSI Card 2930U User's Reference* for additional information on connecting your SCSI peripherals and ordering cables.



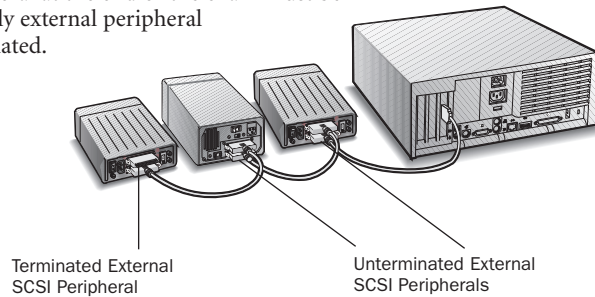
STEP 3

Connect the other end of the cable to a SCSI connector on the back of the external SCSI peripheral. If you are installing only one external peripheral, terminate the peripheral.

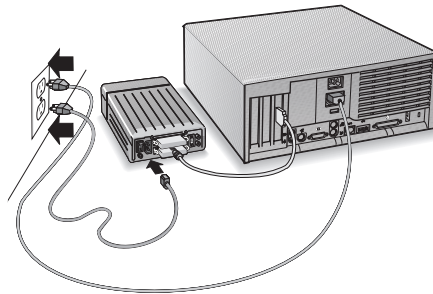
Termination usually is controlled by installing or removing a SCSI terminator. On some peripherals, you use a switch or button on the back of the peripheral. Refer to the peripheral's documentation to determine how to enable or disable termination. See the *SCSI Card 2930U User's Reference* for additional information on termination.

**STEP 4**

Connect the other external SCSI peripherals by connecting each peripheral to the previous one until all peripherals are connected. The peripheral at the end of the chain must be the only external peripheral terminated.

**STEP 5**

Connect all power cables to the external peripherals and computer.



STEP 6

Install any software included with your SCSI peripheral, and then return to this guide.

STEP 7

Continue with *Installing the SCSI Card 2930U Software*.

INSTALLING THE SCSI CARD 2930U SOFTWARE

To install the SCSI Card 2930U software (software driver), go to the section below for the operating system (for example, Windows 95[®]) installed on your computer. If the operating system is not yet installed, install it now. Refer to your operating system documentation for instructions.

NOTE

If you have installed a new SCSI hard drive, you will need to partition and format the drive with the DOS Fdisk and Format commands before it can be used. Refer to your Windows and DOS documentation for instructions.

Computers with Windows 95

STEP 1

Turn on all external peripherals and then the computer.

STEP 2

Windows 95 has two versions. If the New Hardware Found screen appears, continue with step 3. If the Update Device Driver Wizard screen appears with the note PCI SCSI Bus controller, please see the next section, *Windows 95 Update Device Driver Wizard*.

STEP 3

Select **Driver from disk provided by hardware manufacturer**.

STEP 4

Insert the Adaptec Driver Installer diskette for Windows 95 and NT into the floppy disk drive.

STEP 5

At the Install from Disk screen, type `a:\win95`. Windows will install the required driver.

STEP 6

After the installation is finished, remove the Adaptec Driver Installer diskette for Windows 95 and NT from the floppy disk drive.

STEP 7

Restart your computer.

Windows 95 Update Device Driver Wizard

- STEP 1** Insert the Adaptec Driver Installer diskette for Windows 95 and NT into the floppy disk drive.
- STEP 2** Click **Next**.
- STEP 3** The Device Driver Wizard will not detect the driver, therefore, click **Other Locations**, and then type `a:\win95`.
- STEP 4** Windows detects the host adapter as the *Adaptec AHA-2930CU PCI SCSI Controller*. Click **Finish**.
- STEP 5** When prompted to install the Adaptec Driver Installer diskette for Windows 95 and NT, click **OK**.
- STEP 6** When prompted for the location of the drivers, type `a:\win95`, and then press **Enter** to complete this installation.
- STEP 7** Restart your computer.

Computers with Windows NT 4.0

- STEP 1** Start Windows NT 4.0.
- STEP 2** Click the **Start** button, point to **Settings**, and then double-click **Control Panel**.
- STEP 3** Double-click **SCSI Adapters**.
- STEP 4** In the SCSI Adapters window, click the **Drivers** tab.
- STEP 5** In the Drivers tab, click **Add**.
- STEP 6** In the Install Driver window, click **Have Disk**.
- STEP 7** Insert the Adaptec Driver Installer diskette for Windows 95 and NT into the floppy disk drive.
- STEP 8** In the Install from Disk window, type `a:\winnt\4_0` and then click **OK**.
- STEP 9** Click **Adaptec AIC-78xx PCI SCSI Controller Driver** from the list.

NOTE If you have an Adaptec AIC78xx driver installed already, you'll be prompted for the current or new driver installation. Click **New**.

- STEP 10** Restart your computer.

Computers with Windows 3.1

STEP 1 Turn on all external peripherals and then the computer.

STEP 2 Start Windows 3.1x on your computer.

STEP 3 Insert the Adaptec Driver Installer diskette for DOS & Windows 3.1 into your floppy disk drive.

STEP 4 Select **File/Run** from the Program Manager menu.

STEP 5 When the Run dialog box appears, type **a:\setup** if you are using the *A* drive, or **b:\setup** if you are using the *B* drive, and then click **OK**.

STEP 6 Follow the instructions that appear onscreen.

Computers with DOS 6.x or Above

STEP 1 Turn on all external peripherals and then the computer.

STEP 2 Insert the Adaptec Driver Installer diskette for DOS & Windows 3.1 into your floppy disk drive.

STEP 3 At the DOS prompt, type **a:\dosinst** if you are using the *A* drive, or **b:\dosinst** if you are using the *B* drive, and then press **Enter**.

STEP 4 Follow the instructions that appear onscreen.

Thank you!

*Thank you for purchasing an Adaptec product,
a great investment to improve your system's
performance. Enjoy your SCSI system!*

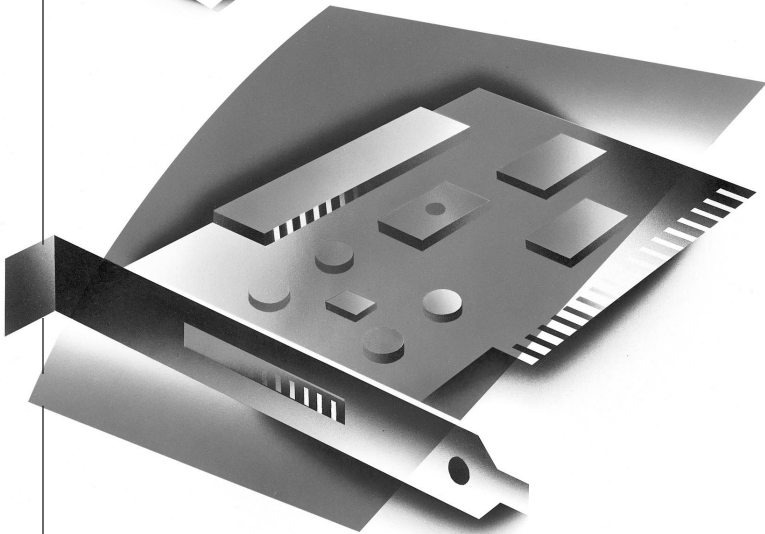


**We move the information that
moves your world.™**

© 1998, Adaptec, Inc. All rights reserved.
Printed in Singapore
Stock No.: 512089-00, Rev. A SAW 9/98



INSTALLATION GUIDE



SCSI CARD 2930U