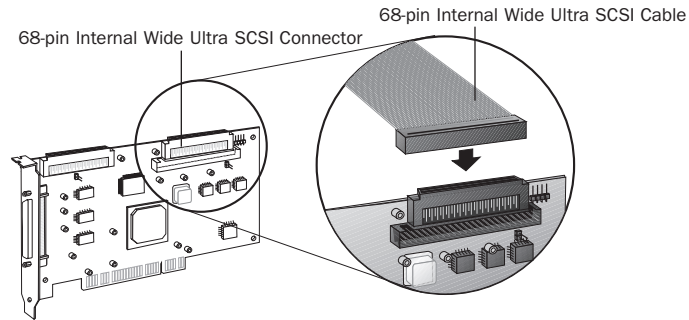
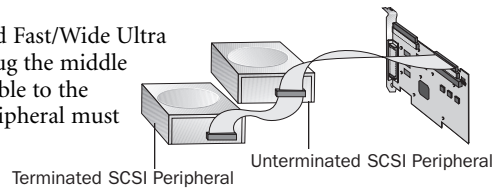


STEP 2 Plug the long end of the cable to the 68-pin internal Ultra SCSI connector on the SCSI Card 2940U2W.



STEP 3 Plug the other end of the cable to a terminated Fast/Wide Ultra SCSI peripheral.

STEP 4 To connect a second Fast/Wide Ultra SCSI peripheral, plug the middle connector of the cable to the peripheral. The peripheral must not be terminated.



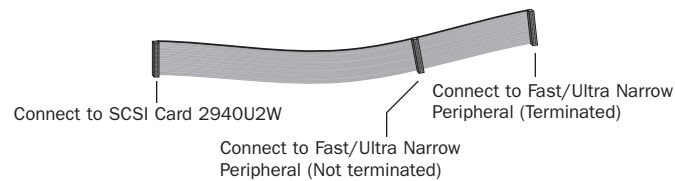
50-pin Internal Ultra SCSI Connector

Use the 50-pin internal Ultra SCSI connector to connect internal or external Fast/Ultra Narrow SCSI peripherals that have standard 50-pin connectors.

Internal Fast/Ultra Narrow SCSI Peripherals

The 50-pin internal cable included in the kit allows you to connect up to two standard internal SCSI peripherals. If you have more than two standard internal 50-pin peripherals, you will need to obtain a 50-pin cable with enough connectors to accommodate all of your standard peripherals. Follow these steps to connect your standard internal Fast/Ultra Narrow peripherals:

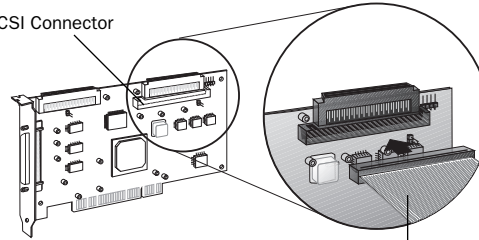
STEP 1 Locate the 50-pin internal Ultra SCSI cable in the package.



(Continued on the other side)

STEP 2 Plug the long end of the cable to the 50-pin connector on the SCSI Card 2940U2W.

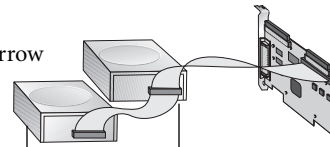
50-pin Internal Ultra SCSI Connector



50-pin Internal Ultra SCSI Cable

STEP 3 Plug the other end of the cable to a terminated Fast/Ultra Narrow SCSI peripheral.

STEP 4 To connect a second Fast/Ultra Narrow SCSI peripheral, plug the middle connector of the cable to the peripheral. The peripheral must not be terminated.



Terminated SCSI Peripheral

Underminated SCSI Peripheral

External Fast/Ultra Narrow SCSI Peripherals

The 50-pin internal-to-high-density 50-pin external Ultra SCSI cable, also included in the kit, allows you to connect your standard external SCSI peripherals and up to two standard internal SCSI peripherals. For each external peripheral, you will need to obtain a 50-pin external SCSI cable. Follow these steps to connect your standard external peripherals:

NOTE This cable enables you to keep external Ultra SCSI peripherals without impeding the performance of your Ultra2 SCSI peripherals. (See “Bus Segments on the SCSI Card 2940U2W” on page 2.)

STEP 1 Locate the 50-pin internal-to-high-density 50-pin external Ultra SCSI cable in the package.

