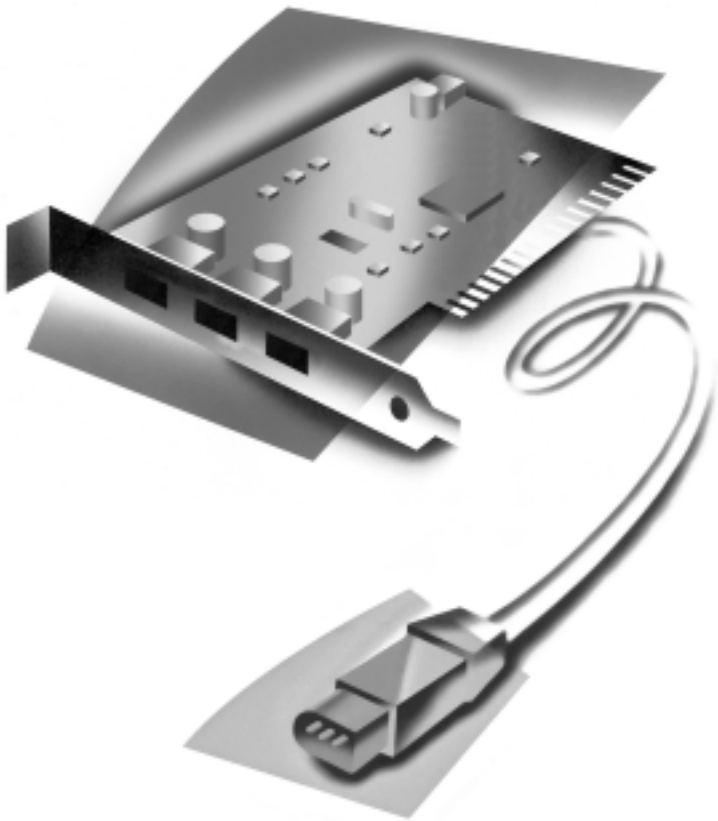




HARDWARE INSTALLATION GUIDE

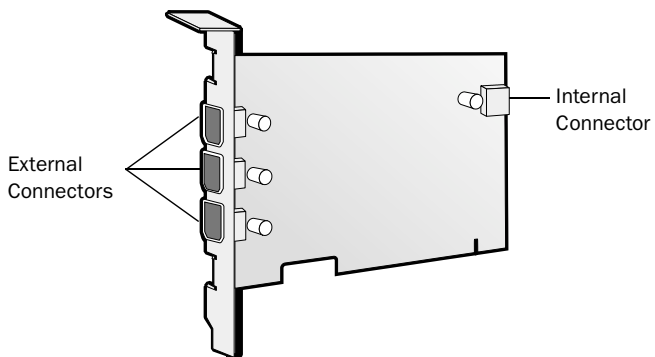


AUA-3100LP
USB2CONNECT ADAPTER

INTRODUCTION

The Adaptec USB2connect Adapter Card (AUA-3100LP) is a Universal Serial Bus (USB) host adapter for PC-compatible or Macintosh computers that provides connectivity to USB 1.1 and USB 2.0 devices. USB 2.0, or Enhanced Host Control Interface (EHCI), is the fastest USB standard, capable of transferring data at up to 480 megabits per second. USB 2.0 is compatible with USB 1.1, Open Host Controller Interface (OHCI) devices. This adapter is a 32-bit, 33-MHz PCI card and will work in either a 32-bit or 64-bit, 33- or 66-MHz, 3.3- or 5-volt compatible slot. Refer to the *Readme* file on the CD for operating system support.

The USB2connect card is shown below:



This installation guide explains how to install the USB2connect card into your computer.

NOTE For information on installing the drivers for the USB2connect, see the *User's and Installation Guide* located on the CD included in this kit.

INSTALLING THE USB2CONNECT CARD

STEP 1

Discharge any static electricity build-up by touching a grounded metal object (such as the exposed metal parts on the back of your computer) before handling the USB2connect card.

WARNING

Turn OFF power to the computer and disconnect the power cord.

STEP 2

After you turn OFF your computer and unplug the power cord, open the computer cabinet.

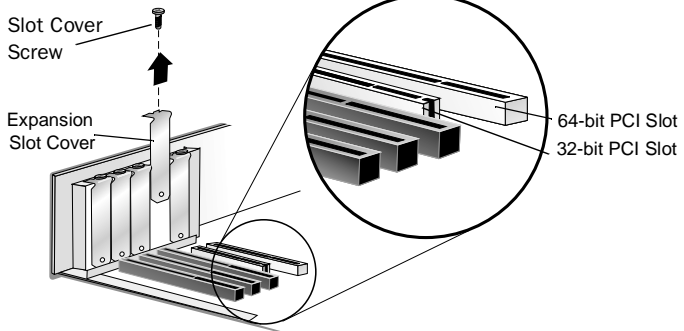
NOTE

See your computer documentation for specific instructions on opening your computer cabinet.

STEP 3

Locate an unused 32-bit or 64-bit PCI expansion slot and remove the expansion slot cover.

Save the slot cover screw for use in Step 5.



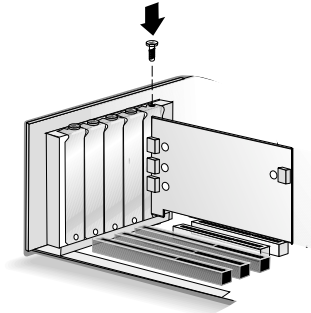
STEP 4

Insert the USB2connect into the PCI expansion slot. Press down firmly until the card clicks into place.

STEP 5

Replace the slot cover screw. When installed properly, the card should be level with the expansion slot, as shown below.

NOTE Some PCI slots may need considerable force to insert the card completely.

**STEP 6**

Close the computer cabinet and reattach the power cord.

COMPLETING THE INSTALLATION

Once the USB2connect is installed in your system, complete the following steps.

Windows® Installation

STEP 1

Power up the computer. During the operating system startup, the card will automatically be detected and Windows will load an embedded driver for the card. If your system prompts you to restart the computer, do so.

STEP 2

If the **New Hardware Found Wizard** opens when you restart, review the *User's Guide* on your USB2connect CD for more information.

STEP 3

Review the **Windows Device Manager** to verify that the adapter is installed under the **USB Host Controller** section. See the *User's Guide* on your CD for more information.

Macintosh® Installation

STEP 1

Power up the computer. Insert the USB2connect CD into your Macintosh CD-ROM drive.

STEP 2

Double-click the **Start Installation Here** file on your Installation CD.

STEP 3

Follow the instructions to install the latest Macintosh USB drivers, if necessary.

STEP 4

Double-click the **USB2connect Installer** and follow the on-screen instructions.

STEP 5

After the installation is complete, click **Restart** to reboot your Macintosh, if necessary, and have the new settings take effect. See the *User's Guide* on the CD for details.

CONNECTING USB DEVICES

You can connect standard USB 1.1 or high-speed USB 2.0 devices to the USB2connect's external or internal connectors. A 10-foot (3-meter) USB 2.0 certified high-speed cable is included. This cable plugs into the connectors on the USB2connect card.

NOTE

- The USB2connect supports hot-plugging, allowing USB devices to be attached and recognized even when the computer is powered ON.
- Some peripheral manufacturers support hot-plugging in different ways. See instructions for each device to determine the best way to attach and mount the peripheral.
- Check the Adaptec Web site at www.adaptec.com for the latest driver availability. USB 2.0 drivers are not included.
- USB 1.1 devices will run at USB 1.1 speeds even when connected to USB 2.0 host adapters or hubs. USB 2.0 devices will operate at USB 1.1 speeds when connected to USB 1.1 host adapters or hubs.

TROUBLESHOOTING

If you have any problems while installing the USB2connect, check the following:

NOTE If you experience any performance issues with your USB device when connected to a hub, connect that device directly to the USB2connect host adapter.

- Is the card seated evenly in the PCI slot?
- Is bus mastering support provided and enabled for the PCI slot containing the USB2connect? (Check your motherboard documentation for information on this.)
- Check the Windows 2000 Event Log if you encounter problems loading the drivers on your Windows 2000 operating system.
- Check the troubleshooting section of your operating system user's guide.
- Check the *User's Guide* and *Readme* file on the CD if you encounter any problems with the software.
- If the driver fails to load, move the card to a different PCI slot.
- For the Power Macintosh system, verify that the card is seen by the Apple System Profiler.

To verify that the card is seen by the Apple System Profiler, follow these steps:

1. From the Apple Menu, click **Apple System Profiler**.
2. Click the **Devices and Volumes** tab.

3. In the window that appears, scroll down to the PCI area and click the arrow next to each PCI slot to reveal the PCI card information. If the AUA-3100LP is installed properly, you will see the following information listed under one of the slots:

OHCI function:

Card type:	USB
Card name:	USB
Card model:	Not available
Card ROM #:	Not available
Card Revision:	65
Card vendor ID:	1033

EHCI function:

Card type:	Not available
Card name:	pci9004,e0
Card Model:	Not available
Card ROM#:	Not available
Card revision:	01 or 02
Card vendor ID:	1033

If the card is not seen, verify that the Apple USB extensions are loaded and enabled. If the extensions are loaded and enabled, verify that the card is seated properly.

If you are still unable to resolve a problem, see the Adaptec Web site at <http://www.adaptec.com> or the Adaptec Support Knowledgebase at <http://ask.adaptec.com> for additional troubleshooting information.

You can also find more detailed installation instructions in the *User's and Installation Guide* located on the CD included with your USB2connect adapter card.

Copyright

© 2001 Adaptec, Inc. All rights reserved. No part of this publication may be reproduced, stored, in a retrieval system, or transmitted in any form or by any means, electronic, mechanical, photocopying, recording or otherwise, without the prior written consent of Adaptec, Inc., 691 South Milpitas Blvd., Milpitas, CA 95035.

Trademarks

Adaptec and the Adaptec logo are trademarks of Adaptec, Inc., which may be registered in some jurisdictions. Windows 98, Windows 2000, and Windows Me are trademarks of Microsoft Corporation in the U.S. and other countries, used under license.

Macintosh and Power Macintosh are registered trademarks of Apple Computer, used under license.

All other trademarks are the property of their respective owners.

Changes

The material in this document is for information only and is subject to change without notice. While reasonable efforts have been made in the preparation of this document to assure its accuracy, Adaptec, Inc. assumes no liability resulting from errors or omissions in this document, or from the use of the information contained herein.

Adaptec reserves the right to make changes in the product design without reservation and without notification to its users.

Disclaimer

IF THIS PRODUCT DIRECTS YOU TO COPY MATERIALS, YOU MUST HAVE PERMISSION FROM THE COPYRIGHT OWNER OF THE MATERIALS TO AVOID VIOLATING THE LAW WHICH COULD RESULT IN DAMAGES OR OTHER REMEDIES.

Adaptec Customer Support

If you have questions about installing or using your Adaptec product, check this document first—you will find answers to most of your questions here. If you need further assistance, use the support options listed below.

Technical Support Identification (TSID) Number

- Before contacting Technical Support, you'll need your TSID. The TSID helps us provide more efficient service by accurately identifying your product and support status. The 12-digit TSID can be found on the white barcode-type label included inside the box with your product.
- Affix your TSID label here:



Support Options

- Search the Adaptec Support Knowledgebase (ASK) at <http://ask.adaptec.com> for articles, troubleshooting tips, and frequently asked questions for your product.
- For support via Email, submit your question to Adaptec's Technical Support Specialists at <http://ask.adaptec.com>.

North America

- Visit our Web site at <http://www.adaptec.com>.
- For information about Adaptec's support options, call +1 408-945-2550, 24 hours per day, 7 days per week.
- To speak with a Technical Support Specialist,

For **Hardware products** call +1 408-934-7274,
Monday–Friday, 3:00 A.M. to 5:00 P.M., Pacific Time.

For **RAID and Fibre Channel** call +1 321-207-2000
Monday–Friday, 3:00 A.M. to 5:00 P.M., Pacific Time.

To expedite your service, have your computer in front of you.

- To order Adaptec products, including software and cables, call +1 800-442-7274 or +1 408-957-7274.

Europe

- Visit our Web site at <http://www.adaptec-europe.com>.
- **English and French:** To speak with a Technical Support Specialist, call one of the following numbers, Monday–Thursday, 10:00 A.M. to 12:30 P.M. and 1:30 P.M. to 5:30 P.M.; Friday, 10:00 A.M. to 12:30 P.M. and 1:30 P.M. to 4:30 P.M., Central European Time:
 - **English:** +32 2 352 3470
 - **French:** +32 2 352 3460

To expedite your service, have your computer in front of you.

- **German:** To speak with a Technical Support Specialist, call +49 89 456 40660, Monday–Thursday, 10:00 A.M. to 12:30 P.M. and 1:30 P.M. to 4:30 P.M.; Friday, 9:30 A.M. to 12:30 P.M. and 1:30 P.M. to 3:00 P.M., Central European Time. To expedite your service, have your computer in front of you.
- To order Adaptec products, including accessories and cables:
 - **UK:** +0800 96 65 26 or fax +0800 731 02 95
 - **Other European countries:** +32 11 300 379

Australia and New Zealand

- Visit our Web site at <http://www.adaptec.com.au>.
- To speak with a Technical Support Specialist, call +612 9416 0698, Monday–Friday, 10:00 A.M. to 4:30 P.M., Eastern Australia Time. To expedite your service, have your computer in front of you.

Hong Kong and China

- Visit our Web site at <http://www.adaptec.com>.
- To speak with a Technical Support Specialist, call +852 2869 7200, Monday–Friday, 10:00 A.M. to 5:00 P.M.
- Fax Technical Support at +852 2869 7100.

Singapore

- Visit our Web site at <http://www.adaptec.com>.
- To speak with a Technical Support Specialist, call +65 245 7470, Monday–Friday, 10:00 A.M. to 5:00 P.M.

Regulatory Compliance Statements

Federal Communications Commission Radio Frequency Interference Statement

WARNING: Changes or modifications to this unit not expressly approved by the party responsible for compliance could void the user's authority to operate the equipment.

This equipment has been tested and found to comply with the limits for a Class B digital device, pursuant to Part 15 of the FCC rules. These limits are designed to provide reasonable protection against harmful interference in a residential installation. This equipment generates, uses, and can radiate radio frequency energy, and if not installed and used in accordance with the instruction manual, may cause harmful interference to radio communications. However, there is no guarantee that interference will not occur in a particular installation. However, if this equipment does cause interference to radio or television equipment reception, which can be determined by turning the equipment off and on, the user is encouraged to try to correct the interference by one or more of the following measures:

- Reorient or relocate the receiving antenna.
- Increase the separation between equipment and receiver.
- Connect the equipment to an outlet on a circuit different from that to which the receiver is connected.
- Consult the dealer or an experienced radio/television technician for help.
- Use a shielded and properly grounded I/O cable and power cable to ensure compliance of this unit to the specified limits of the rules.

European Union Compliance Statement



This Information Technology Equipment has been tested and found to comply with the following European directives:

EMC Directive 89/336/EEC, as amended by 92/31/EEC and 93/68/EEC

EN 50081-1 (1992)

EN55022 (1994) Class B

EN 50082-1 (1992)

EN61000-4-2 (1998)

EN61000-4-3 (1998)

EN61000-4-4 (1995)

EN61000-4-5 (1995) Surges

EN61000-4-6 (1996) Conducted immunity

EN61000-4-11 (1994) Supply dips of variation



Australian/New Zealand Compliance Statement

This device has been tested and found to comply with the limits for a Class B digital device, pursuant to the Australian/New Zealand standard AS/NZS 3548 set out by the Spectrum Management Agency.



Canadian Compliance Statement

This Class B digital apparatus meets all requirements of the Canadian Interference-Causing Equipment Regulations.

Cet appareil numérique de la classe B respecte toutes les exigences du Règlement sur le matériel brouilleur du Canada.



Japanese Compliance (Voluntary Control Council Initiative)

 **adaptec**[®]

© 2001 Adaptec, Inc. All rights reserved.
P/N: 512822-06, Ver. AA KM 03/01