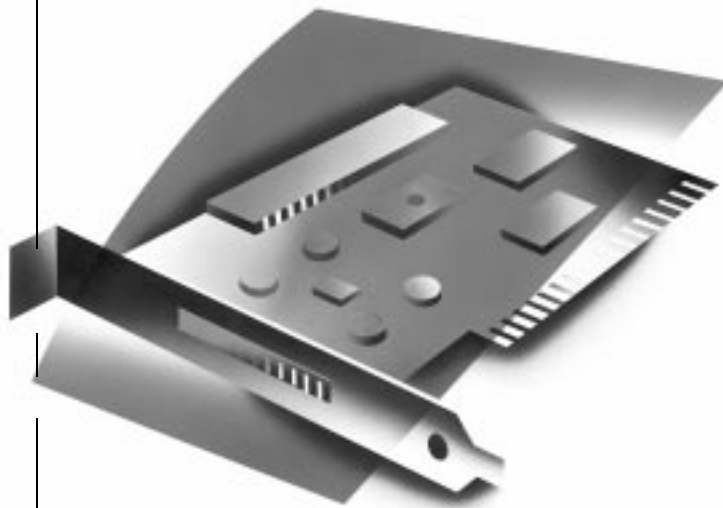




INSTALLATION GUIDE



SCSI CARD 2906 FOR MACINTOSH

|

—

|

—

—

|

|

—

▼▼▼▼ SCSI Card 2906 for
Macintosh

Installation Guide

 **adaptec®**

—

—

—

—

—

—

—

—

Contents

➤ Introduction	2
➤ Before You Begin	2
➤ Installing the SCSI Card 2906	3
➤ Preparing the SCSI Devices	4
Check the SCSI IDs	4
Terminate the Ends of the SCSI Bus	5
➤ Connecting Internal SCSI Devices	5
➤ Connecting External SCSI Devices	9

Introduction

With SCSI Card 2906, you can connect up to seven SCSI devices to any Macintosh computer that has Bus Mastering PCI expansion slots.

This installation guide provides step-by-step instructions for

- Installing the SCSI Card 2906
- Preparing the SCSI devices
- Connecting internal SCSI devices (for example, SCSI hard disk drives)
- Connecting external SCSI devices (for example, SCSI scanners, CD-Recordable drives, or tape drives)

Before You Begin

Make sure your SCSI Card 2906 package includes the following items:

- SCSI Card 2906
- Standard 50-pin internal SCSI cable
- Adaptec PowerDomain[®] Control Panel for Macintosh
- SCSI Card 2906 Installation Guide for Macintosh

Determine which SCSI devices will be connected to the computer. If you want to connect more than two internal SCSI devices or one or more external SCSI devices, you will need additional cables not included in this package.

Installing the SCSI Card 2906

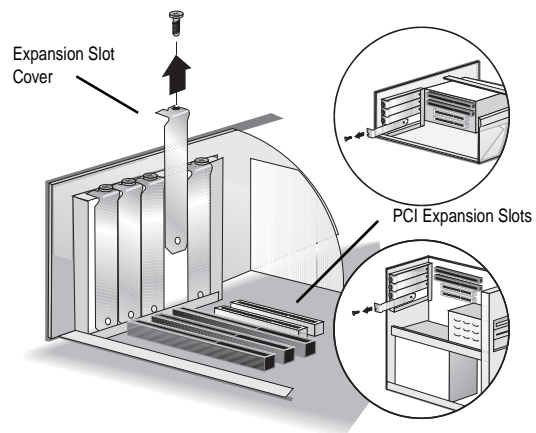


WARNING: Before you start, turn OFF power to the Macintosh computer and disconnect the power cord. Then ground yourself by touching an unpainted surface of the computer case.

- 1 Remove the cover from your Macintosh computer, following the manufacturer's instructions.
- 2 Find an unused PCI expansion slot (typically white or ivory) in your computer. Unscrew the expansion slot cover screw and remove the cover to provide an opening as shown in the following diagram.



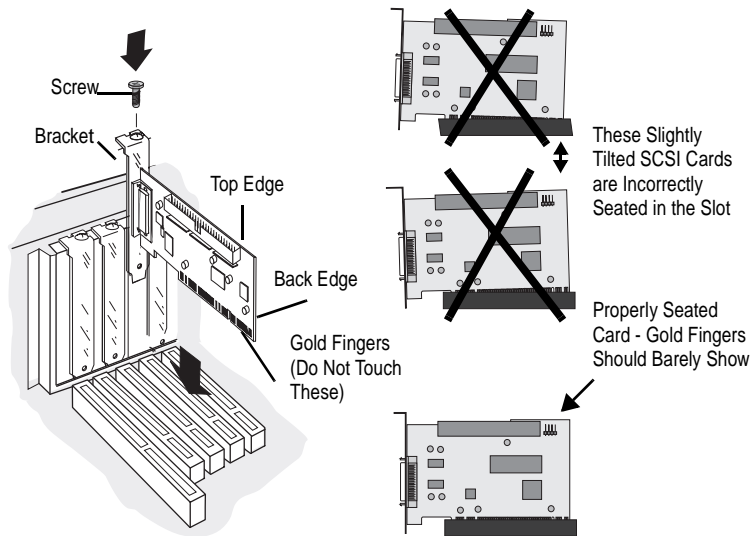
Note: If your Macintosh computer is a tower model, it is easier to install the SCSI card when the tower is laid on its side. Computers may have vertical or horizontal expansion slots, as shown in the following diagram. Refer to your computer manual to locate the PCI slots.



- 3 Remove the SCSI Card 2906 from its antistatic packaging. Always handle the card by its edges.

SCSI Card 2906 for Macintosh

- 4 Insert the SCSI Card 2906 in the slot, pressing it down firmly so the gold fingers are seated in the slot as shown in the following diagram. Secure the SCSI card bracket with the screw you removed in Step 2.



Preparing the SCSI Devices

Setting up SCSI devices before attaching them to the SCSI card typically involves setting SCSI IDs and termination, mounting internal SCSI devices inside your Macintosh computer, and connecting power cables to each SCSI device.

Setup varies for different kinds of SCSI devices. Always refer to the SCSI device's documentation for specific instructions. Below are some guidelines for setting SCSI IDs and termination on your SCSI devices.

Check the SCSI IDs

The SCSI Card 2906 and each SCSI device you connect to it requires a unique SCSI ID number ranging from 0 to 7. The SCSI Card 2906 and each SCSI device must have a different ID number. The SCSI Card 2906 is preset to ID 7 and should not be changed. The IDs for internal SCSI devices are usually set with jumpers; external SCSI devices are usually set with a switch on the back of the SCSI device.

Terminate the Ends of the SCSI Bus

To ensure reliable communication on the SCSI bus, the SCSI device at the end of each cable, or the end of the cable itself, must have a terminator installed (or enabled). Terminators must be removed or disabled on SCSI devices that are connected between the ends of each cable.

- To install internal SCSI devices, see *Connecting Internal SCSI Devices* below.
- To install external SCSI devices only, replace your Macintosh computer cover and skip to *Connecting External SCSI Devices* on page 9.

Connecting Internal SCSI Devices

- 1** Be sure that each internal SCSI device you are installing has a unique SCSI ID from 0 to 6. Refer to the SCSI device's documentation to determine the SCSI ID setting.

If any two SCSI devices (internal or external) you are connecting to the SCSI card have the same SCSI ID, change the SCSI ID on one SCSI device. The SCSI Card 2906 is preset to SCSI ID 7 and should not be changed.

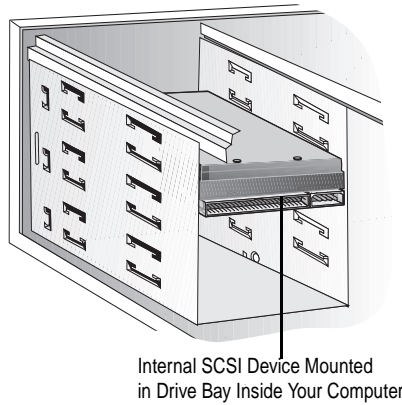
- 2** If you are installing one internal SCSI device only, terminate that SCSI device. If you have two or more internal SCSI devices, terminate the device that will be connected at the end of the cable.

For more information on termination, refer to the SCSI device's documentation.

- 3** Mount each internal SCSI device in an available drive bay inside your Macintosh computer, as shown in the following diagram.

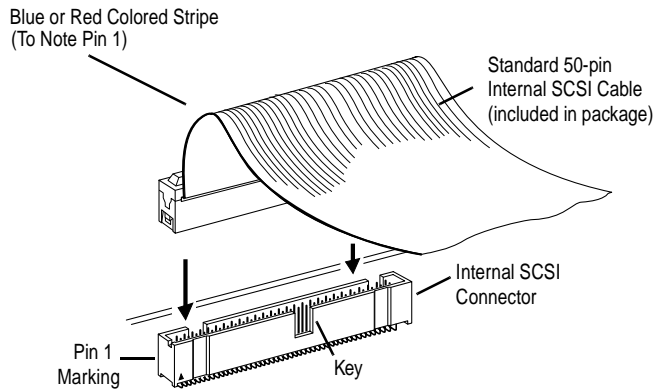
SCSI Card 2906 for Macintosh

Refer to your Macintosh computer and SCSI device documentation for instructions on installing SCSI devices inside your computer.



Note: If it is difficult to reach behind your internal SCSI devices mounted in the drive bay, try connecting the internal SCSI devices to the SCSI cable and power supply (Steps 5 - 7 below) *before* securing each SCSI device inside your Macintosh computer.

- 4** Connect one end of the internal SCSI cable to the SCSI Card 2906 internal SCSI connector as shown below.

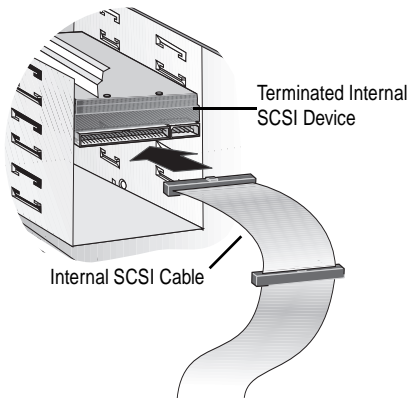


Connecting Internal SCSI Devices

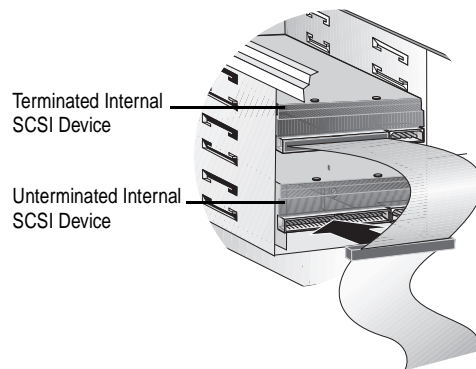
To connect more than two internal SCSI devices to the SCSI Card 2906, you will need an internal SCSI cable with enough connectors for all devices.

- 5 Connect the other end of the cable to the last internal SCSI device as shown below (this SCSI device *must* be terminated; see Step 2 above).

Make sure Pin 1 on the cable aligns with Pin 1 of the internal SCSI device's connector. Pin 1 usually is designated by a small triangle or "1".

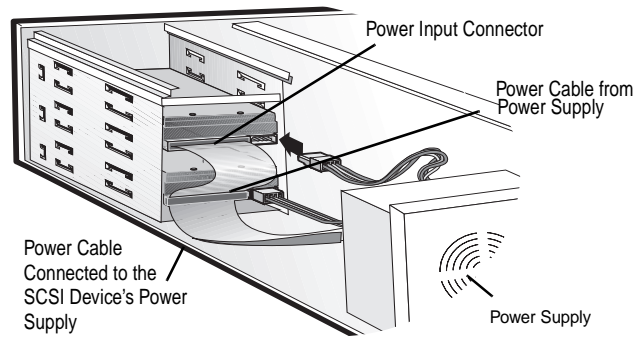


- 6 Connect the remaining connectors on the cable to any remaining internal SCSI devices as shown below (*do not* terminate these SCSI devices; see Step 2 above.)



SCSI Card 2906 for Macintosh

- 7 Connect a power cable from your computer's power supply to the power input connector on the SCSI device, as shown below. Repeat this step for each additional SCSI device.



Caution: Power connectors and power cables typically are keyed with beveled edges. Use caution when you are connecting the power cable to the device.

- 8 If you are installing internal SCSI devices only, follow these steps:
 - Reconnect the power cables to the computer.
 - Install any software included with your SCSI device.

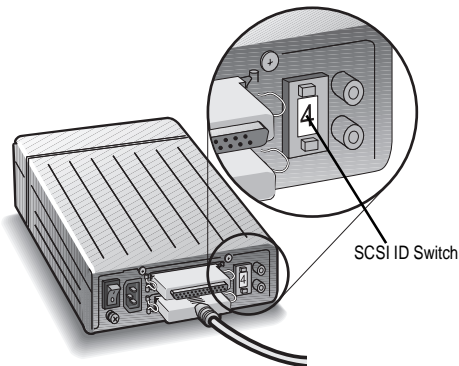
If you are installing external SCSI devices, continue with the next section.

Connecting External SCSI Devices

- 1 Be sure that each external SCSI device you are installing has a unique SCSI ID from 0 to 6. Refer to the SCSI device's documentation to determine the SCSI ID setting.

If any two SCSI devices (external or internal) you are connecting to the SCSI Card 2906 have the same SCSI ID, change the SCSI ID on one SCSI device. The SCSI Card 2906 is preset to SCSI ID 7 and should not be changed.

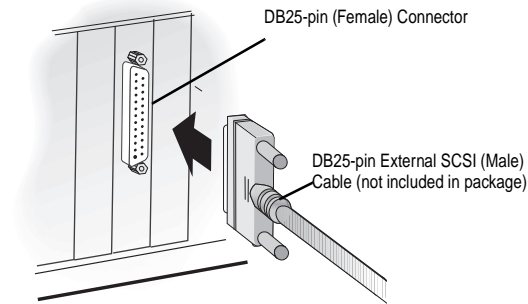
For most external SCSI devices, the SCSI ID is set with a switch on the back of the SCSI device as shown below.



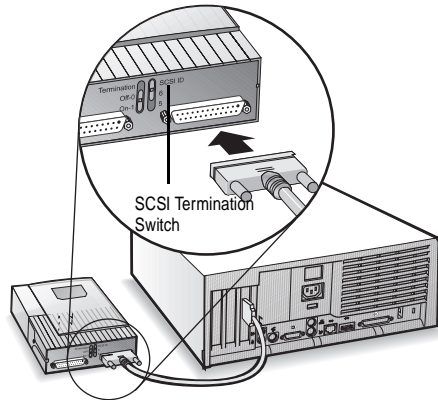
- 2 Connect one end of the external SCSI cable to the SCSI Card 2906 external SCSI connector as shown in the following diagram. Secure the cable to the connector on the SCSI Card 2906 by tightening the thumb screws on the cable connector.

SCSI Card 2906 for Macintosh

For each external SCSI device you install, you need a high-quality external SCSI cable.



- 3** Connect the other end of the cable to a SCSI connector on the back of the external SCSI device as shown below. If you are installing only one external SCSI device, terminate the device.



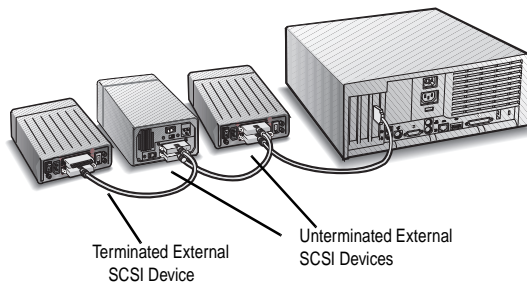
Termination usually is controlled by installing or removing a SCSI terminator. On some SCSI devices, you use a switch or button on the back of the SCSI device. Refer to the SCSI device's documentation to determine how to enable or disable termination.

Connecting External SCSI Devices

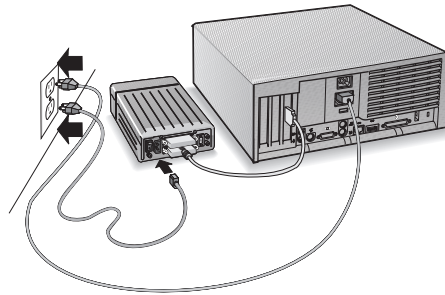


Note: If you are connecting external SCSI devices, use the PowerDomain Control Panel to set the maximum synchronous transfer rate to 5 MBytes/sec. The DB-25 connector is not rated for higher speeds.

- 4 Connect the other external SCSI devices by cabling each SCSI device to the previous one, as shown below. Terminate only the SCSI device at the end of the chain.



- 5 Connect all power cables to the external SCSI devices and the Macintosh computer as shown below.



- 6 Turn ON all external SCSI devices and wait for them to come to a ready state before turning on the Macintosh computer.
- 7 Turn ON the computer to boot it.
- 8 Install any software included with your SCSI device.

Copyright

© 1998 Adaptec, Inc. All rights reserved. No part of this publication may be reproduced, stored in a retrieval system, or transmitted in any form or by any means, electronic, mechanical, photocopying, recording or otherwise, without the prior written consent of Adaptec, Inc., 691 South Milpitas Blvd., Milpitas, CA 95035.

Trademarks

Adaptec, the Adaptec logo, AVA, and PowerDomain are trademarks of Adaptec, Inc. which may be registered in some jurisdictions. All other trademarks are owned by their respective owners.

Changes

The material in this document is for information only and is subject to change without notice. While reasonable efforts have been made in the preparation of this document to assure its accuracy, Adaptec, Inc. assumes no liability resulting from errors or omissions in this document, or from the use of the information contained herein.

Adaptec reserves the right to make changes in the product design without reservation and without notification to its users.

Disclaimer

IF THIS PRODUCT DIRECTS YOU TO COPY MATERIALS, YOU MUST HAVE PERMISSION FROM THE COPYRIGHT OWNER OF THE MATERIALS TO AVOID VIOLATING THE LAW WHICH COULD RESULT IN DAMAGES OR OTHER REMEDIES.

Federal Communications Commission Radio Frequency Interference Statement

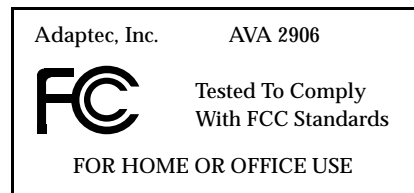
WARNING: Changes or modifications to this unit not expressly approved by the party responsible for compliance could void the user's authority to operate the equipment.

This equipment has been tested and found to comply with the limits for a Class B digital device, pursuant to Part 15 of the FCC rules. These limits are designed to provide reasonable protection against harmful interference in a residential installation. This equipment generates, uses, and can radiate radio frequency energy, and if not installed and used in accordance with the instruction manual, may cause harmful interference to radio communications. However, there is no guarantee that interference will not occur in a particular installation. However, if this equipment does cause interference to radio or television equipment reception, which can be determined by turning the equipment off and on, the user is encouraged to try to correct the interference by one or more of the following measures:

- Reorient or relocate the receiving antenna.
- Increase the separation between equipment and receiver.
- Connect the equipment to an outlet on a circuit different from that to which the receiver is connected.
- Consult the dealer or an experienced radio/television technician for help.

Use a shielded and properly grounded I/O cable and power cable to ensure compliance of this unit to the specified limits of the rules.

This device complies with part 15 of the FCC rules. Operation is subject to the following two conditions: (1) this device may not cause harmful interference and (2) this device must accept any interference received, including interference that may cause undesired operation.



Canadian Compliance Statement

This Class B digital apparatus meets all requirements of the Canadian Interference-Causing Equipment Regulations.

Cet appareil numérique de la classe B respecte toutes les exigences du Règlement sur le matériel brouilleur du Canada.

Adaptec Software License Agreement

In return for acquiring a license to use the software ("Software") and related documentation, you agree to the following terms and conditions:

- 1 License: This Agreement grants you, the Licensee, a license to:
 - a use the Software on a single computer system which incorporates an Adaptec SCSI Card, or in the case of a multi-user or networked system which permits access to the Software by more than one user at the same time, at a single working location.
 - b make one copy of the Software in machine readable form solely for back-up purposes provided you reproduce Adaptec's copyright notice and any proprietary legends.
- 2 Restrictions: You may not distribute copies of the Software to others or electronically transfer the Software from one computer to another over a network. You may not use the Software from multiple locations of a multi-user or networked system at any one time. The Software contains trade secrets and in order to protect them you may not decompile, reverse engineer, disassemble, or otherwise reduce the Software to a human-perceivable form. YOU MAY NOT MODIFY, ADAPT, TRANSLATE, RENT, LEASE, LOAN, RESELL FOR PROFIT, DISTRIBUTE, NETWORK OR CREATE DERIVATIVE WORKS BASED UPON THE SOFTWARE OR ANY PART THEREOF.
- 3 Ownership of Software: As Licensee, you own the media upon which the software is fixed, but Adaptec retains title and ownership of the Software recorded on the original media and all subsequent copies of the Software regardless of the form or media in which or on which the original and other copies may exist. This license is not a sale of the Software or any copy.
- 4 Confidentiality: You agree to maintain the Software in confidence and to not disclose the Software to any third party without the express written consent of Adaptec. You further agree to take all reasonable precautions to preclude access of unauthorized persons to the Software.
- 5 Term: This license is effective until January 1, 2042, unless terminated earlier. You may terminate the license at any time by destroying the Software (including the related documentation) together with all copies or modifications in any form. Adaptec will have the right to terminate your license immediately if you fail to comply with any term or condition of this Agreement. Upon any termination, including termination by you, you must destroy the Software (including the related documentation) together with all copies or modifications in any form.
- 6 Limited Warranty: Adaptec warrants only that the media upon which the Software is furnished will be free from defects in material or workmanship under normal use and service for a period of thirty (30) days from the date of delivery to you. ADAPTEC DOES NOT AND CANNOT WARRANT THE PERFORMANCE OR RESULTS YOU MAY OBTAIN BY USING THE SOFTWARE OR DOCUMENTATION. THE FOREGOING STATES THE SOLE AND EXCLUSIVE REMEDIES ADAPTEC WILL PROVIDE FOR BREACH OF WARRANTY. EXCEPT FOR THE FOREGOING LIMITED WARRANTY, ADAPTEC MAKES NO WARRANTIES, EXPRESS OR IMPLIED, AS TO NONINFRINGEMENT OF THIRD PARTY RIGHTS, MERCHANTABILITY OR FITNESS FOR A PARTICULAR PURPOSE. Some states do not allow the exclusion of implied warranties or limitations on how long an implied warranty may last, so the above limitations may not apply to you. This warranty gives you specific legal rights and you may also have other rights which vary from state to state.
- 7 Limitation of Liability: IN NO EVENT WILL ADAPTEC BE LIABLE TO YOU FOR ANY SPECIAL DAMAGES, INCLUDING ANY LOST PROFITS, LOST SAVINGS OR OTHER INCIDENTAL OR CONSEQUENTIAL DAMAGES, EVEN IF ADAPTEC HAS BEEN ADVISED OF THE POSSIBILITY OF SUCH DAMAGES, OR FOR ANY CLAIM BY ANY OTHER PARTY. Some states do not allow the exclusion or limitation of special, incidental, or consequential damages, so the above limitation or exclusion may not apply to you.
- 8 Limitation of Remedies: Adaptec's entire liability and your exclusive remedy shall be:
 - a the replacement of any media not meeting Adaptec's limited warranty which is returned to Adaptec; or
 - b if Adaptec or its distributor is unable to deliver replacement media which is free of defects in materials or workmanship, you may terminate this Agreement by returning the Software and your money will be refunded.

- 9 Export: You acknowledge that the laws and regulations of the United States restrict the export and re-export of the Software. You agree that you will not export or re-export the Software or media in any form without the appropriate United States and foreign government approval.
- 10 U.S. Government Restricted Rights Legend for Units of the DoD: Use, duplication or disclosure by the Government is subject to restrictions as set forth in subparagraph (c)(1)(ii) of the Rights in Technical Data and Computer Software clause at 252.227-7013. Adaptec, Inc., 691 South Milpitas Boulevard, Milpitas, California 95035.
- 11 U.S. Government Restricted Rights Legend for Civilian Agencies: Use, reproduction or disclosure is subject to restrictions as set forth in subparagraphs (a) through (d) of the Commercial Computer Software - Restricted Rights clause at 52.227-19 and the limitations set forth in Adaptec, Inc.'s standard commercial agreement for this software. Unpublished - rights reserved under the copyright laws of the United States.
- 12 General: You acknowledge that you have read this Agreement, understand it, and that by opening the package you agree to be bound by its terms and conditions. You further agree that it is the complete and exclusive statement of the agreement between Adaptec and you which supersedes any proposal or prior agreement, oral or written, and any terms of this Agreement or any different terms will be enforceable against Adaptec unless Adaptec gives its express consent, including an express waiver of the terms of this Agreement, in a writing signed by an officer of Adaptec. You assume full responsibility for the use of the Software and agree to use the Software legally and responsibly. This Agreement shall be governed by California law except as to copyright matters which are covered by Federal law. This Agreement is deemed entered into at Milpitas, California by both parties. Should any provision of this Agreement be declared unenforceable in any jurisdiction, then such provision shall be deemed to be severable from this Agreement and shall not affect the remainder hereof. All rights in the Software not specifically granted in this Agreement are reserved by Adaptec.

Should you have any questions concerning this Agreement, you may contact Adaptec by writing to: Adaptec, Inc., Legal Department, 691 South Milpitas Boulevard, Milpitas, California 95035.



Adaptec, Inc.
691 South Milpitas Boulevard
Milpitas, CA 95035

© 1998 Adaptec, Inc.
All rights reserved. Adaptec, and the Adaptec logo
are trademarks of Adaptec, Inc. which may be regis-
tered in some jurisdictions.

Printed in Singapore
STOCK NO.: 512208-00, Rev. A RAC 12/98