

INTRODUCTION

With SCSI Card 2940U2W, you can connect up to 15 SCSI peripherals, such as hard disk drives, scanners, CD-ROM drives, tape drives, to any IBM-compatible computer with PCI expansion slots.

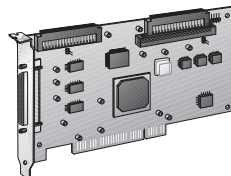
This installation guide provides instructions for:

- Installing the SCSI Card 2940U2W
- Connecting SCSI peripherals
- Installing SCSI Card 2940U2W software

See the *SCSI Card 2940U2W User's Reference* for additional information on using the SCSI Card 2940U2W.

Check the Kit Contents

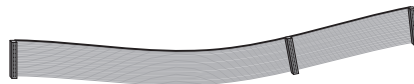
Your SCSI Card 2940U2W kit should contain the following items:



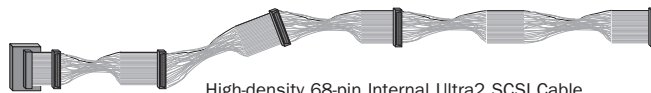
SCSI Card 2940U2W



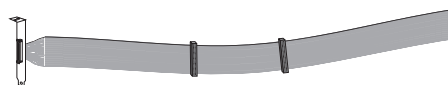
High-density 68-pin Internal Ultra SCSI Cable



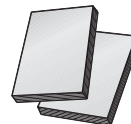
Standard 50-pin Internal Ultra SCSI Cable



High-density 68-pin Internal Ultra2 SCSI Cable



Standard 50-pin Internal-to-High-density 50-pin External Ultra SCSI Cable (With Two Internal Connectors)



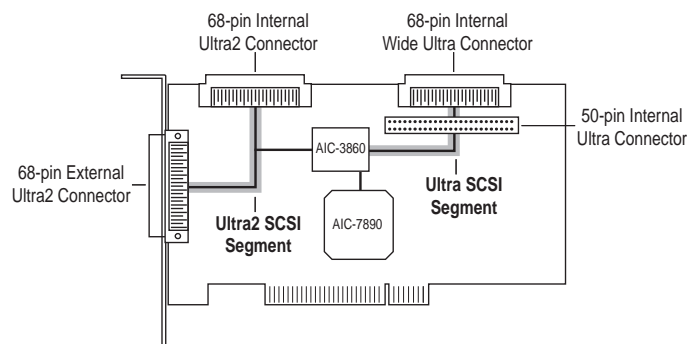
Manuals



Disks and CD-ROM

Bus Segments on the SCSI Card 2940U2W

The SCSI Card 2940U2W features Adaptec SpeedFlex™ technology. SpeedFlex technology ensures that you get the most performance from your Ultra2 SCSI peripherals by electronically isolating the Ultra2 SCSI segment from the Ultra SCSI segment on the SCSI bus. With the SpeedFlex advantage, the SCSI Card 2940U2W can support Ultra2 SCSI peripherals at speeds up to 80 MBytes/sec while simultaneously supporting Wide Ultra/Ultra (legacy) peripherals at speeds up to 40 MBytes/sec.



NOTE Attaching Wide Ultra/Ultra SCSI peripherals to the Ultra2 SCSI segment of the SCSI bus causes the Ultra2 SCSI segment and any attached peripherals to drop to Ultra SCSI performance levels (40 MBytes/sec). Attaching only Ultra2 peripherals to the Ultra2 segment, ensures that all peripherals on the Ultra2 segment will perform at Ultra2 performance levels (80 MBytes/sec).

Attaching an Ultra2 peripheral to the Ultra SCSI segment causes the Ultra2 peripheral to drop to Ultra SCSI performance levels instead of Ultra2 SCSI performance levels at which it is designed to run.